

TECHNOLOGY TO THE POINT



Haitian Plastics Machinery Group Co., Ltd
No.1688, Haitian Road, Xiaogang, Beilun, Ningbo, Zhejiang, China 315801
+ 86-574-8617 7005 (China)
+ 86-574-8617 7242 (International)
haitian@mail.haitian.com
www.haitianpm.com

NINGBO HAITIAN HUAYUAN MACHINERY CO.,LTD.
No.1, Nanhuan Road, Export Processing Zone, Beilun, Ningbo, Zhejiang, China 315806
+86-574-8617 7242
+86-574-8622 1864
haitian@mail.haitian.com
www.haitianpm.com



JUPITER SERIES

SERVO HYDRAULIC TWO-PLATEN SOLUTION
TECHNICAL SPECIFICATION **EUROPE**
13,000 - 88,000 kN



JU13000 V

MACHINE TYPE			JU13000 V												
CLAMPING UNIT	Clamping force	kN	13000												
	Mold opening stroke ^①	mm	2250/1500												
	Mold height min.	mm	600												
	Mold height max.	mm	1350												
	Total daylight max.	mm	2850												
	Dist. between tie-bars (H×V)	mm	1420×1170												
	Ejector stroke	mm	350												
	Ejector force	kN	230												
Mold weight max. ^②	t	23													
INJECTION UNIT			6750			8950			11500				17500		
			A	B	C	A	B	C	A	B	C	D	A	B	C
	Screw diameter	mm	90	100	110	100	110	120	110	120	130	140	130	140	150
	Screw L/D ratio	L/D	24.4	22	20	24.2	22	20.2	26.2	24	22.2	20.6	24	22.3	20.8
	Injection volume (theoretical)	cm ³	2990	3691	4466	4005	4846	5767	5226	6220	7300	8466	8362	9698	11133
	Injection weight (PS)	g	2720	3359	4064	3645	4410	5248	4756	5660	6643	7704	7609	8825	10131
	Injection rate (PS) ^③	g/s	809	999	1209	797	965	1148	884	1052	1235	1432	1281	1486	1705
	Injection pressure	MPa	193	156	129	196	162	136	189	159	135	117	185	160	139
	Injection pressure (max)	MPa	222	180	148	223	184	154	217	183	156	134	210	181	158
	Plasticizing rate (GPPS) ^④	g/s	103.4	127.1	150.2	120.7	144.8	167.8	123.0	142.0	164.0	187.0	168.0	192.0	220.0
	Plasticizing rate (HDPE) ^⑤	g/s	155.6	191.0	227.5	181.2	217.2	247.0	187.0	217.0	240.0	273.0	252.0	283.0	336.0
Screw speed	rpm	170			155			105				102			
OTHERS	Pump motor power	kW	127			127			135				195		
	Heater power	kW	71			83			104				123		
	Machine dimension (L×W×H) ^⑥	m	9.99×3.45×2.85			10.48×3.45×2.86			10.79×3.45×2.98				11.97×3.65×4.34		
	Machine weight	t	53			54			57				62		
	Hopper capacity (OP)	kg	50			50			50				50		
	Oil tank ^⑦	l	590			840			840				1670		

NOTE:

- ① With min. mold height / with max. mold height.
- ② Moving platen: 2/3 of max. mold weight.
- ③ The injection rate refers to the parameter in the differential injection condition.
- ④ Plasticizing capacity (GPPS): GB standard, with application of GPPS plasticizing capacity of 3-zone screws.
- ⑤ Plasticizing capacity (HDPE): Euromap 19, with application of HDPE plasticizing capacity of barrier screws.
- ⑥ The size is the net size of the machine, excluding the width of the feeding platform and the working platform.
- ⑦ The oil tank volume refers to the volume of the oil tank itself, excluding the volume in cylinder and pipeline. In this sense, the customer is advised to prepare the hydraulic oil according to 1.35 times of the oil tank volume.

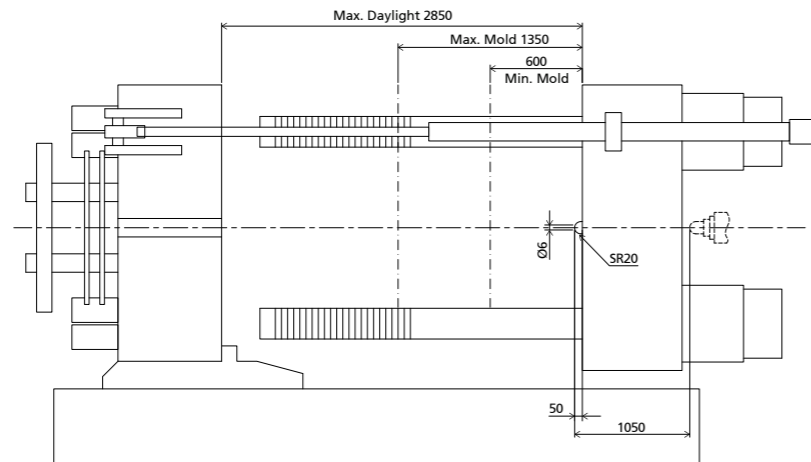
The above plasticizing capacity is for reference only.

We reserve the right to make changes as a result of further technical advantages.

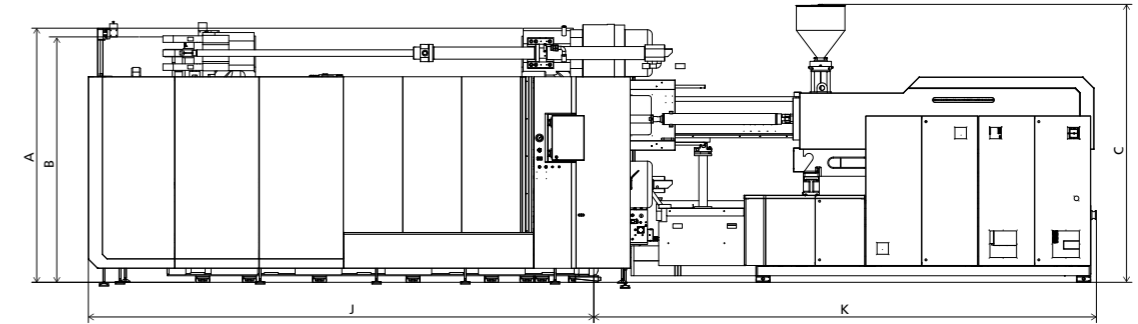


DIMENSIONS JU13000 V

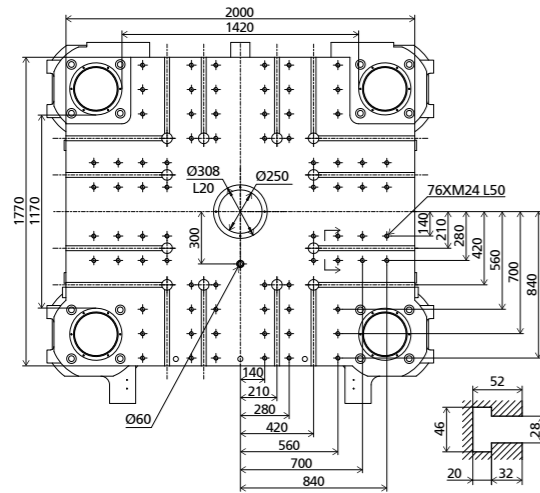
CLAMPING UNIT



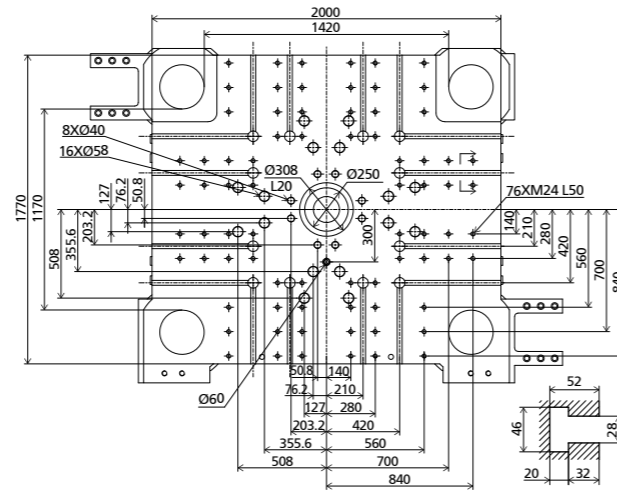
FRONT VIEW



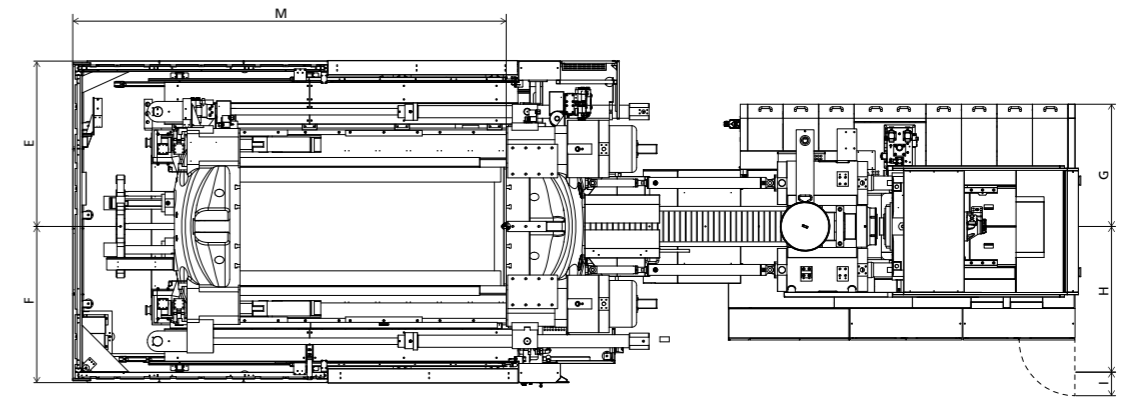
FIXED PLATEN DIMENSIONS



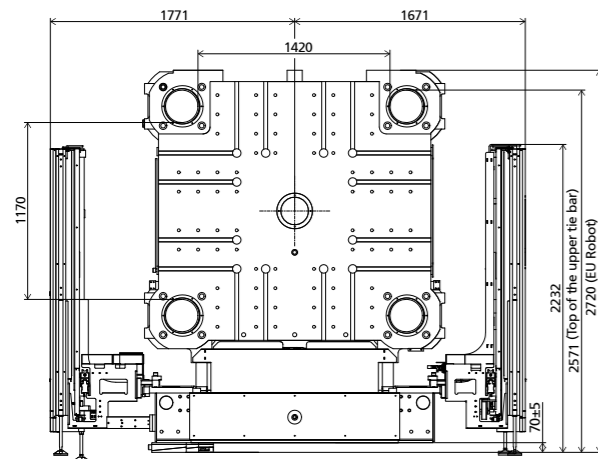
MOVING PLATEN DIMENSIONS



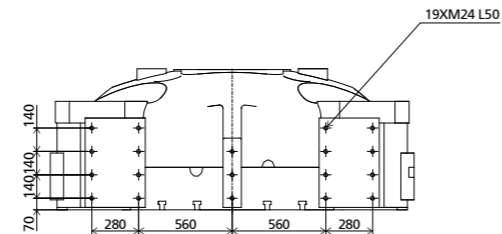
TOP VIEW



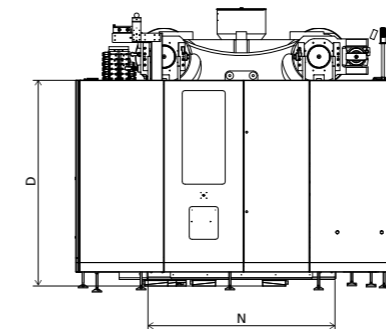
ROBOT MECHANICAL INTERFACE



ROBOTTOP VIEW FIXED PLATEN



SIDE VIEW



STANDARD

	INJECTION UNIT									DIMENSIONS (mm)			
	A	B	C	D	E	F	G	H	I	J	K	M	N
6750	2700	2571	2850	2200	1771	1671	1218	1065	596	5409	4792	4639	2002
8950	2770	2571	2860	2200	1771	1671	1218	1065	596	5409	4892	4639	2002
11500	2770	2571	2975	2200	1771	1671	1308	1215	596	5409	5378	4639	2002
17500	2770	2571	4338	2200	1771	1671	1875	1323	796	5409	5805	4639	2002



JU14000 V

MACHINE TYPE			JU14000 V												
CLAMPING UNIT	Clamping force	kN	14000												
	Mold opening stroke ^①	mm	2350/1600												
	Mold height min.	mm	700												
	Mold height max.	mm	1450												
	Total daylight max.	mm	3050												
	Dist. between tie-bars (H×V)	mm	1470×1360												
	Ejector stroke	mm	400												
	Ejector force	kN	330												
Mold weight max. ^②	t	27													
INJECTION UNIT			6750			8950			11500				17500		
			A	B	C	A	B	C	A	B	C	D	A	B	C
	Screw diameter	mm	90	100	110	100	110	120	110	120	130	140	130	140	150
	Screw L/D ratio	L/D	24.4	22	20	24.2	22	20.2	26.2	24	22.2	20.6	24	22.3	20.8
	Injection volume (theoretical)	cm ³	2990	3691	4466	4005	4846	5767	5226	6220	7300	8466	8362	9698	11133
	Injection weight (PS)	g	2720	3359	4064	3645	4410	5248	4756	5660	6643	7704	7609	8825	10131
	Injection rate (PS) ^③	g/s	809	999	1209	797	965	1148	884	1052	1235	1432	1281	1486	1705
	Injection pressure	MPa	193	156	129	196	162	136	189	159	135	117	185	160	139
	Injection pressure (max)	MPa	222	180	148	223	184	154	217	183	156	134	210	181	158
	Plasticizing rate (GPPS) ^④	g/s	103.4	127.1	150.2	120.7	144.8	167.8	123.0	142.0	164.0	187.0	168.0	192.0	220.0
	Plasticizing rate (HDPE) ^⑤	g/s	155.6	191.0	227.5	181.2	217.2	247.0	187.0	217.0	240.0	273.0	252.0	283.0	336.0
Screw speed	rpm	170			155			105				102			
OTHERS	Pump motor power	kW	71			83			104				123		
	Heater power	kW	10.30×3.52×3.12			10.79×3.52×3.12			11.66×3.52×3.12				12.28×3.59×4.42		
	Machine dimension (L×W×H) ^⑥	m	60			62			65				70		
	Machine weight	t	50			50			50				50		
	Hopper capacity (OP)	kg	590			840			840				1670		
	Oil tank ^⑦	l	590			840			840				1670		

NOTE:

- ① With min. mold height / with max. mold height.
- ② Moving platen: 2/3 of max. mold weight.
- ③ The injection rate refers to the parameter in the differential injection condition.
- ④ Plasticizing capacity (GPPS): GB standard, with application of GPPS plasticizing capacity of 3-zone screws.
- ⑤ Plasticizing capacity (HDPE): Euromap 19, with application of HDPE plasticizing capacity of barrier screws.
- ⑥ The size is the net size of the machine, excluding the width of the feeding platform and the working platform.
- ⑦ The oil tank volume refers to the volume of the oil tank itself, excluding the volume in cylinder and pipeline. In this sense, the customer is advised to prepare the hydraulic oil according to 1.35 times of the oil tank volume.

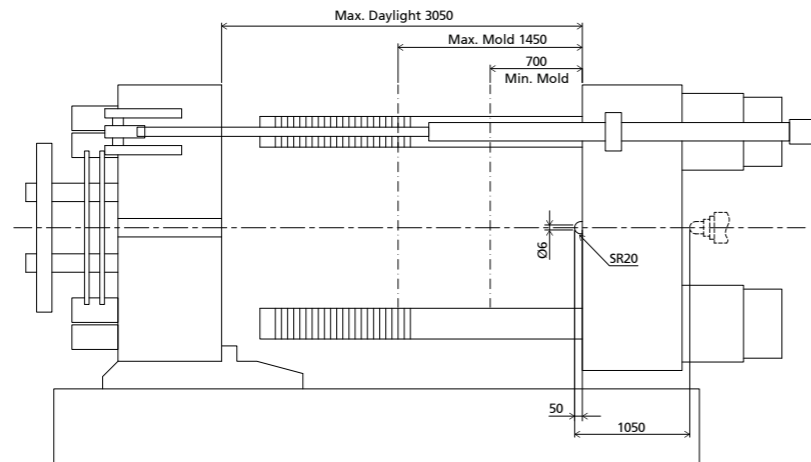
The above plasticizing capacity is for reference only.

We reserve the right to make changes as a result of further technical advantages.

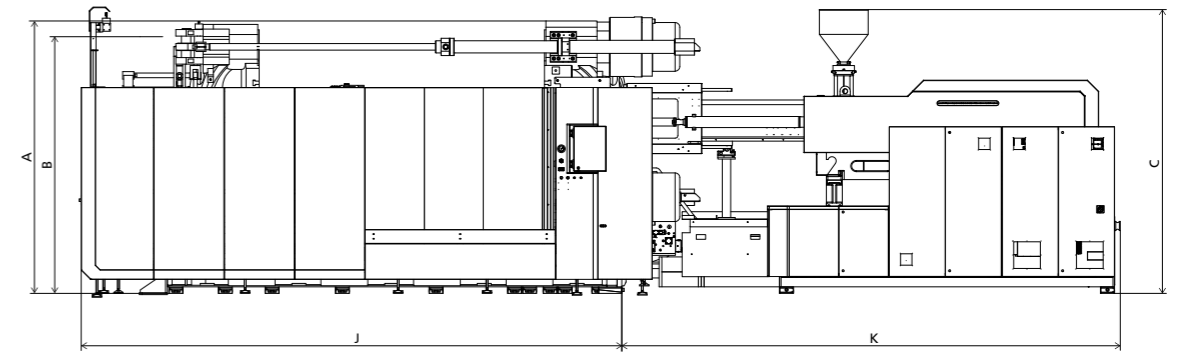


DIMENSIONS JU14000 V

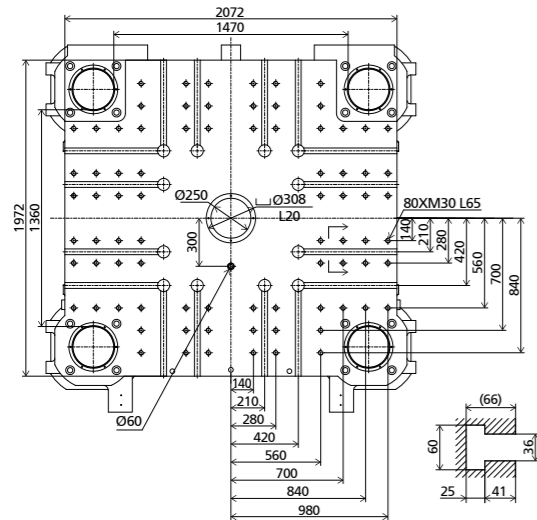
CLAMPING UNIT



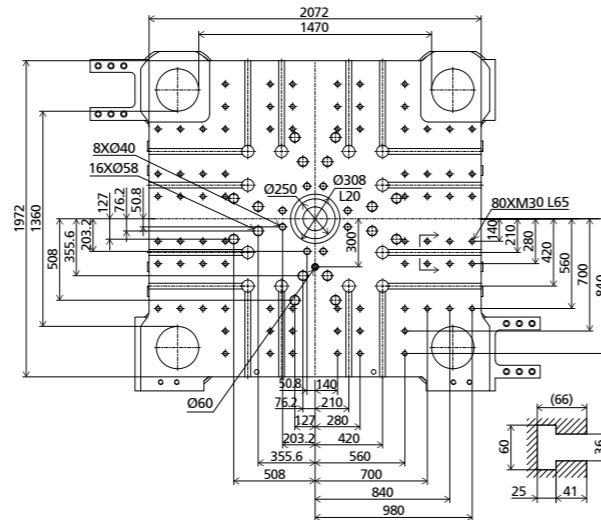
FRONT VIEW



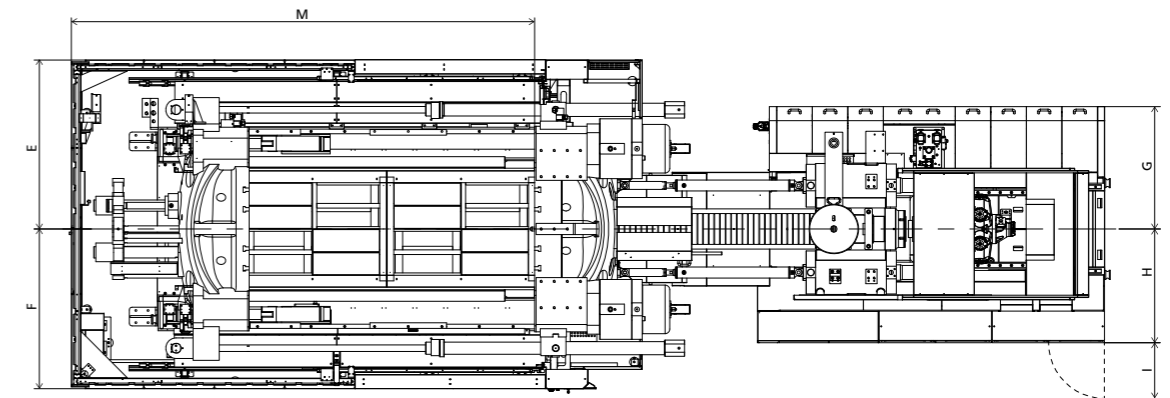
FIXED PLATEN DIMENSIONS



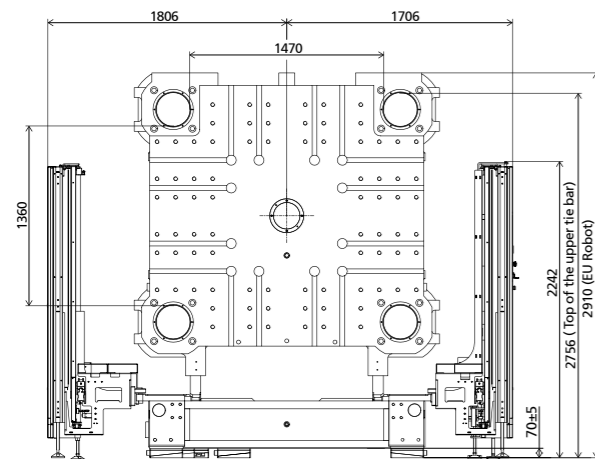
MOVING PLATEN DIMENSIONS



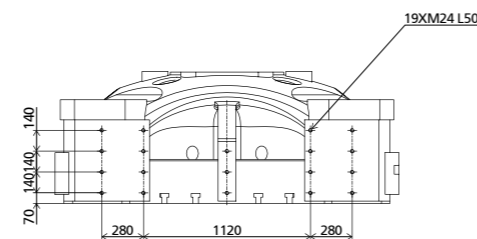
TOP VIEW



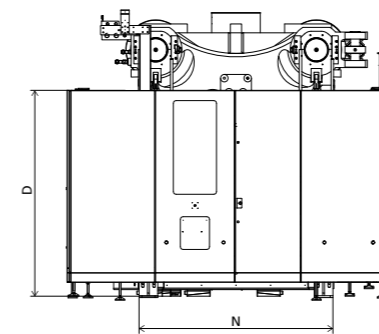
ROBOT MECHANICAL INTERFACE



ROBOTTOP VIEW FIXED PLATEN



SIDE VIEW



STANDARD

	INJECTION UNIT								DIMENSIONS (mm)				
	A	B	C	D	E	F	G	H	I	J	K	M	N
6750	2910	2756	3114	2200	1806	1706	1218	1065	596	5776	4792	4951	2072
8950	2910	2756	3114	2200	1806	1706	1218	1065	596	5776	4842	4951	2072
11500	2910	2756	3114	2200	1806	1706	1308	1215	596	5776	5328	4951	2072
17500	2910	2756	4413	2200	1806	1706	1875	1323	796	5776	5755	4951	2072



JU16000 V

MACHINE TYPE			JU16000 V												
CLAMPING UNIT	Clamping force	kN	16000												
	Mold opening stroke ^①	mm	2550/1700												
	Mold height min.	mm	700												
	Mold height max.	mm	1550												
	Total daylight max.	mm	3250												
	Dist. between tie-bars (H×V)	mm	1570×1285												
	Ejector stroke	mm	400												
	Ejector force	kN	330												
Mold weight max. ^②	t	33													
			8950			11500			17500						
			A	B	C	A	B	C	D	A	B	C			
INJECTION UNIT	Screw diameter	mm	100	110	120	110	120	130	140	130	140	150			
	Screw L/D ratio	L/D	24.2	22	20.2	26.2	24	22.2	20.6	24	22.3	20.8			
	Injection volume (theoretical)	cm ³	4005	4846	5767	5226	6220	7300	8466	8362	9698	11133			
	Injection weight (PS)	g	3645	4410	5248	4756	5660	6643	7704	7609	8825	10131			
	Injection rate (PS) ^③	g/s	855	1034	1231	884	1052	1235	1432	1281	1486	1705			
	Injection pressure	MPa	196	162	136	189	159	135	117	185	160	139			
	Injection pressure (max)	MPa	223	184	154	217	183	156	134	210	181	158			
	Plasticizing rate (GPPS) ^④	g/s	120.7	144.8	167.8	123.0	142.0	164.0	187.0	168.0	192.0	220.0			
	Plasticizing rate (HDPE) ^⑤	g/s	181.2	217.2	247.0	187.0	217.0	240.0	273.0	252.0	283.0	336.0			
Screw speed	rpm		155			105					102				
OTHERS	Pump motor power	kW		135			135				195				
	Heater power	kW		83			104				123				
	Machine dimension (L×W×H) ^⑥	m		11.27×3.73×3.12			11.83×3.73×3.12				12.45×3.73×4.42				
	Machine weight	t		69			71				76				
	Hopper capacity (OP)	kg		50			50				50				
	Oil tank ^⑦	l		840			840				1670				

NOTE:

- ① With min. mold height / with max. mold height.
- ② Moving platen: 2/3 of max. mold weight.
- ③ The injection rate refers to the parameter in the differential injection condition.
- ④ Plasticizing capacity (GPPS): GB standard, with application of GPPS plasticizing capacity of 3-zone screws.
- ⑤ Plasticizing capacity (HDPE): Euromap 19, with application of HDPE plasticizing capacity of barrier screws.
- ⑥ The size is the net size of the machine, excluding the width of the feeding platform and the working platform.
- ⑦ The oil tank volume refers to the volume of the oil tank itself, excluding the volume in cylinder and pipeline. In this sense, the customer is advised to prepare the hydraulic oil according to 1.35 times of the oil tank volume.

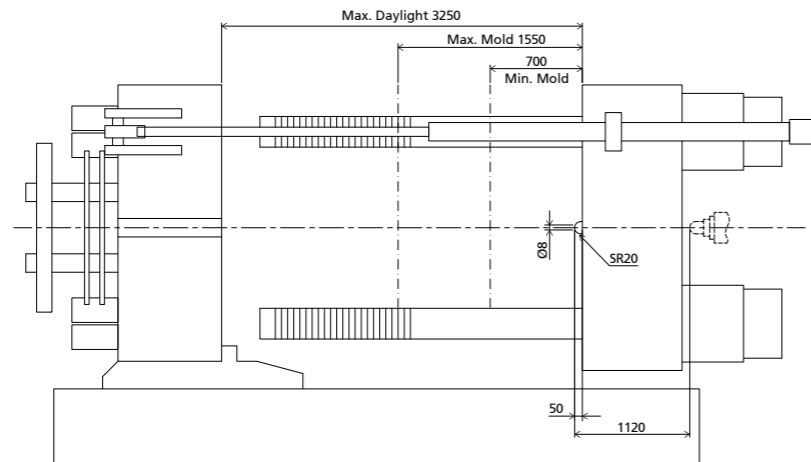
The above plasticizing capacity is for reference only.

We reserve the right to make changes as a result of further technical advantages.

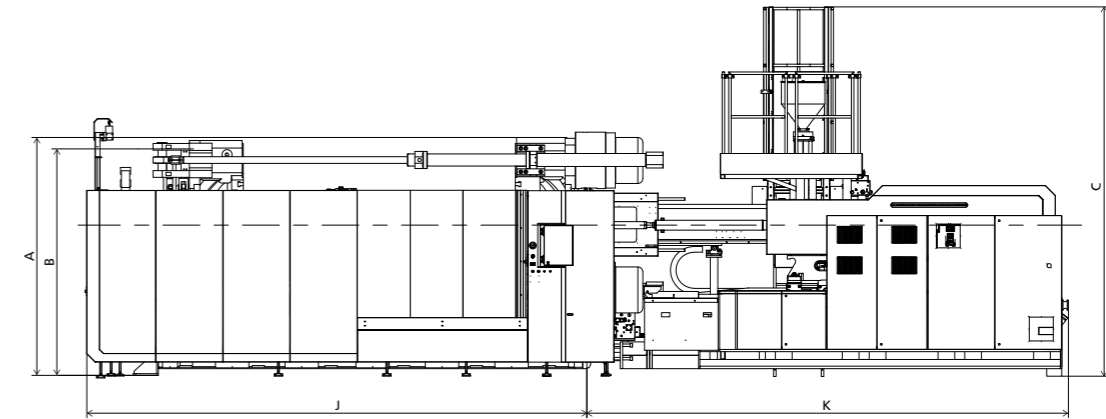


DIMENSIONS JU16000 V

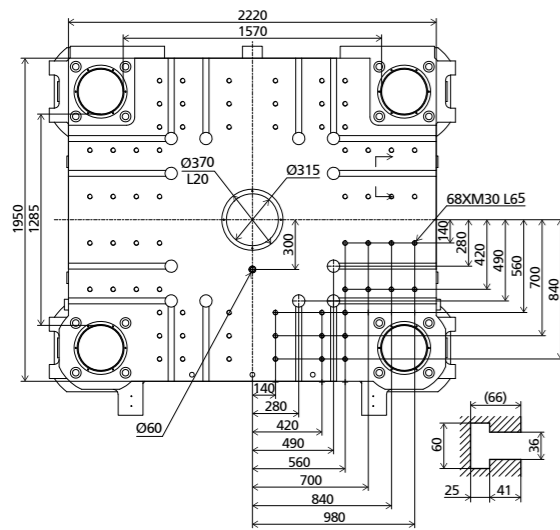
CLAMPING UNIT



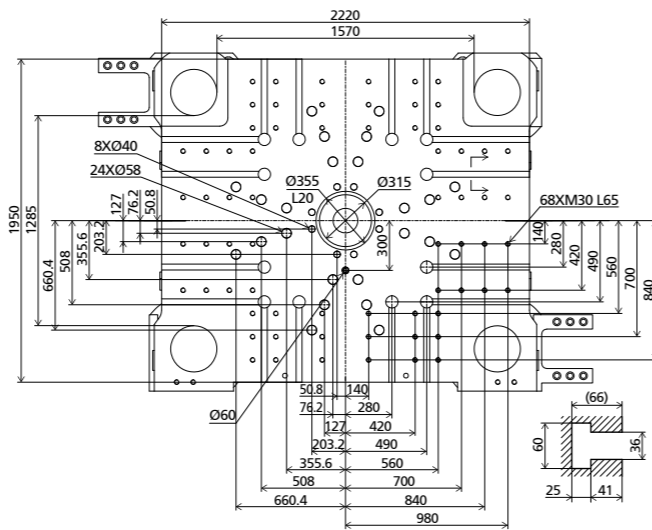
FRONT VIEW



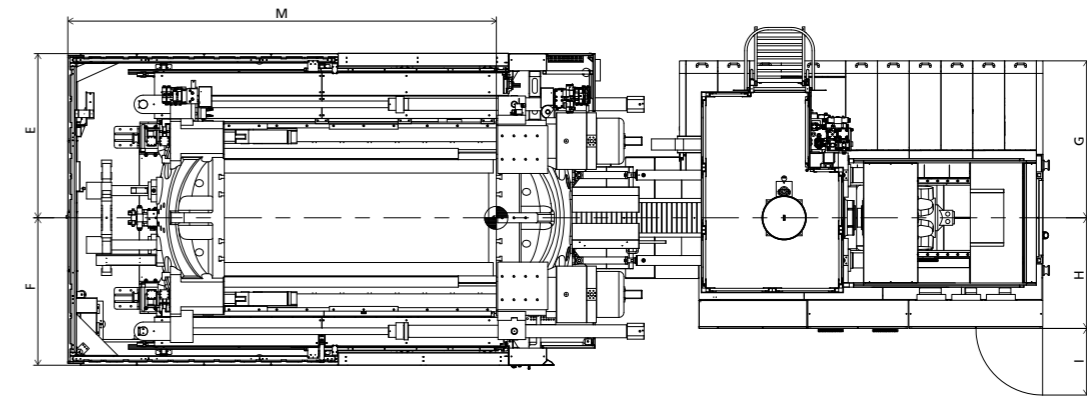
FIXED PLATEN DIMENSIONS



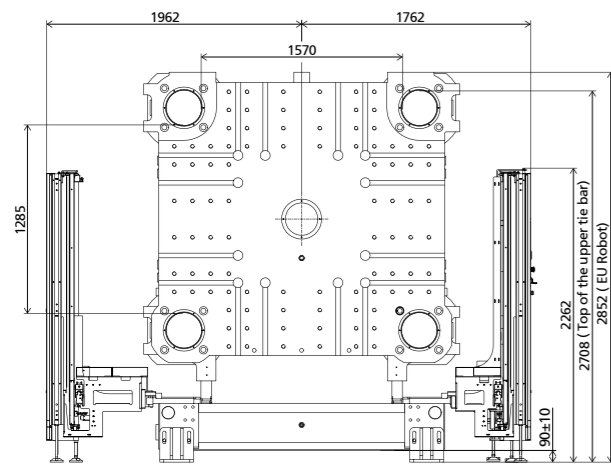
MOVING PLATEN DIMENSIONS



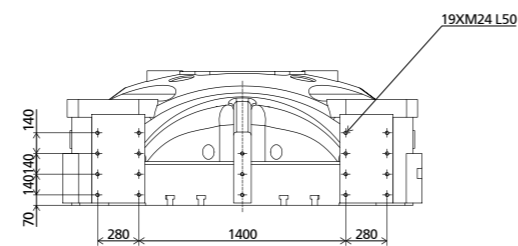
TOP VIEW



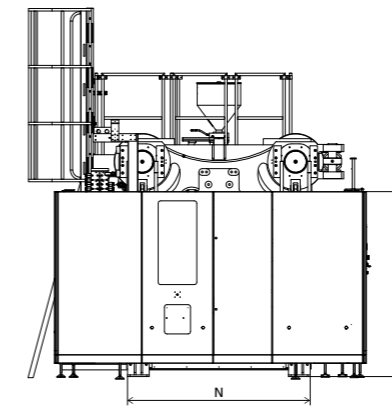
ROBOT MECHANICAL INTERFACE



ROBOTTOP VIEW FIXED PLATEN



SIDE VIEW



STANDARD

	INJECTION UNIT								DIMENSIONS (mm)				
	A	B	C	D	E	F	G	H	I	J	K	M	N
8950	2852	2708	3119	2220	1962	1762	1218	1065	596	5976	4842	5121	2184
11500	2852	2708	3119	2220	1962	1762	1308	1215	596	5976	5378	5121	2184
17500	2852	2708	4413	2220	1962	1762	1875	1323	796	5976	5755	5121	2184



JU18500 V

MACHINE TYPE			JU18500 V												
CLAMPING UNIT	Clamping force	kN	18500												
	Mold opening stroke ^①	mm	2600/1750												
	Mold height min.	mm	750												
	Mold height max.	mm	1600												
	Total daylight max.	mm	3350												
	Dist. between tie-bars (H×V)	mm	1900×1450												
	Ejector stroke	mm	450												
	Ejector force	kN	450												
Mold weight max. ^②	t	40													
			11500				17500			22500				32500	
			A	B	C	D	A	B	C	A	B	C	D	A	B
INJECTION UNIT	Screw diameter	mm	110	120	130	140	130	140	150	140	150	160	170	160	170
	Screw L/D ratio	L/D	26.2	24	22.2	20.6	24	22.3	20.8	24	22.4	21	19.8	24	22.6
	Injection volume (theoretical)	cm ³	5226	6220	7300	8466	8362	9698	11133	10467	12016	13672	15434	17492	19747
	Injection weight (PS)	g	4756	5660	6643	7704	7609	8825	10131	9525	10935	12441	14045	15918	17970
	Injection rate (PS) ^③	g/s	884	1052	1235	1432	1281	1486	1705	1352	1552	1766	1994	1559	1761
	Injection pressure	MPa	189	159	135	117	185	160	139	185	161	141	125	160	142
	Injection pressure (max)	MPa	217	183	156	134	210	181	158	211	184	161	143	180	159
	Plasticizing rate (GPPS) ^④	g/s	123.0	142.0	164.0	187.0	168.0	192.0	220.0	155.0	176.0	196.0	222.0	\	\
	Plasticizing rate (HDPE) ^⑤	g/s	187.0	217.0	240.0	273.0	252.0	283.0	336.0	243.0	294.0	303.0	334.0	280.0	310.0
Screw speed	rpm	105				102			85				72		
OTHERS	Pump motor power	kW	135				195			205				205	
	Heater power	kW	104				123			137				189	
	Machine dimension (L×W×H) ^⑥	m	11.52×3.93×3.33				12.70×3.93×4.46			12.93×3.93×4.46				13.88×3.93×4.46	
	Machine weight	t	83				87			92				94	
	Hopper capacity (OP)	kg	50				50			50				50	
	Oil tank ^⑦	l	840				1670			1670				1670	

NOTE:

- ① With min. mold height / with max. mold height.
- ② Moving platen: 2/3 of max. mold weight.
- ③ The injection rate refers to the parameter in the differential injection condition.
- ④ Plasticizing capacity (GPPS): GB standard, with application of GPPS plasticizing capacity of 3-zone screws.
- ⑤ Plasticizing capacity (HDPE): Euromap 19, with application of HDPE plasticizing capacity of barrier screws.
- ⑥ The size is the net size of the machine, excluding the width of the feeding platform and the working platform.
- ⑦ The oil tank volume refers to the volume of the oil tank itself, excluding the volume in cylinder and pipeline. In this sense, the customer is advised to prepare the hydraulic oil according to 1.35 times of the oil tank volume.

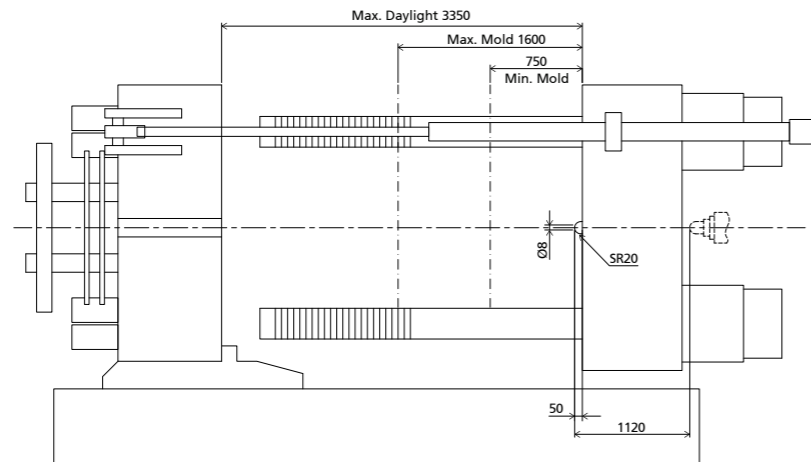
The above plasticizing capacity is for reference only.

We reserve the right to make changes as a result of further technical advantages.

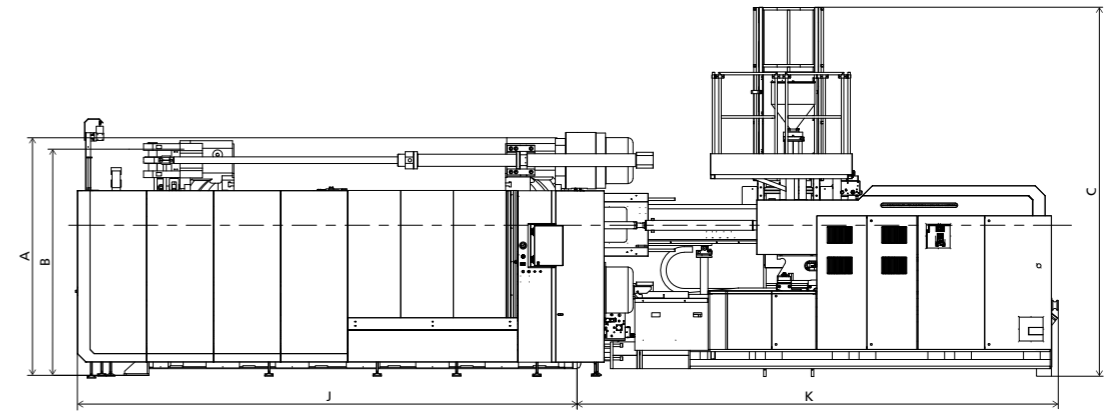


DIMENSIONS JU18500 V

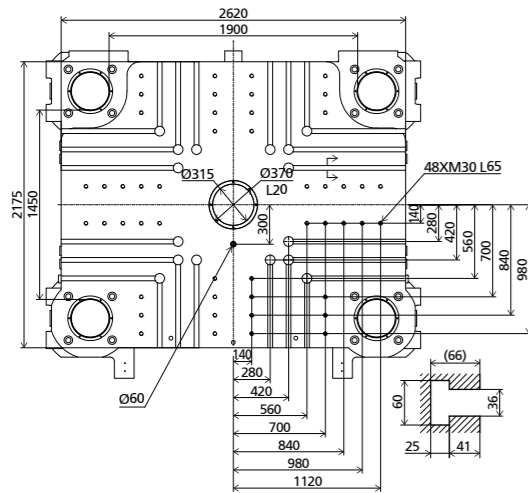
CLAMPING UNIT



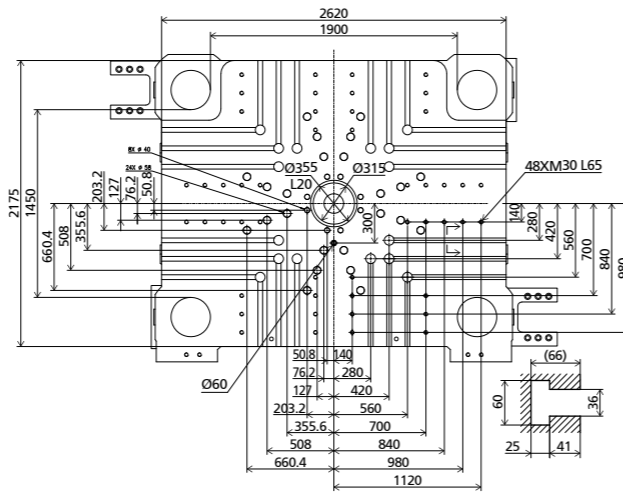
FRONT VIEW



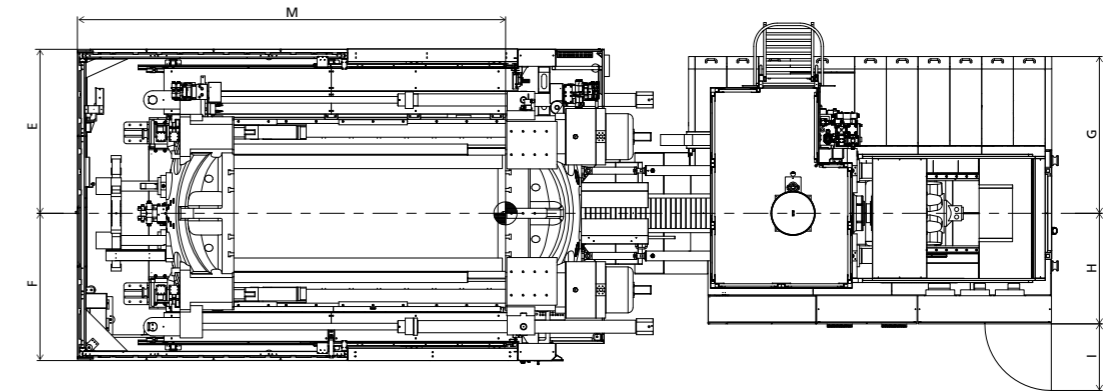
FIXED PLATEN DIMENSIONS



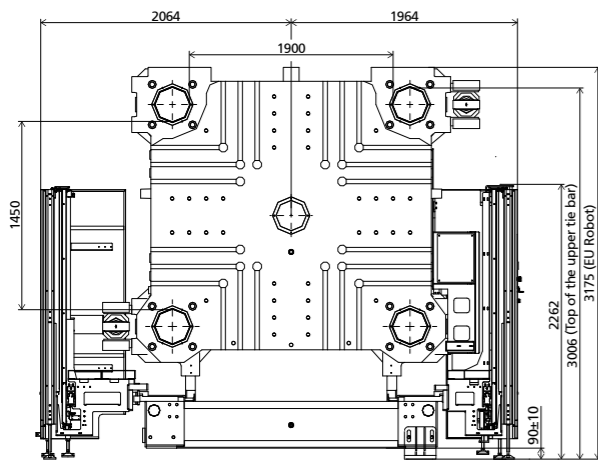
MOVING PLATEN DIMENSIONS



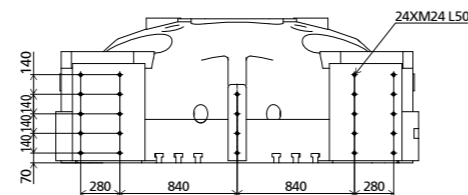
TOP VIEW



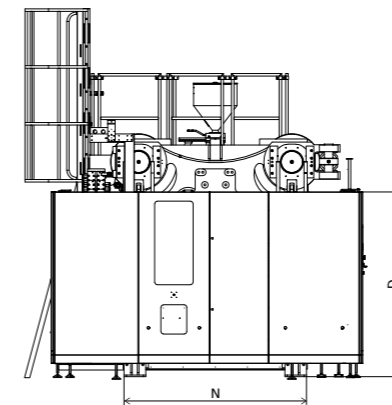
ROBOT MECHANICAL INTERFACE



ROBOTTOP VIEW FIXED PLATEN



SIDE VIEW



STANDARD

	INJECTION UNIT									DIMENSIONS (mm)			
	A	B	C	D	E	F	G	H	I	J	K	M	N
11500	3175	3006	3330	2220	2064	1964	1308	1215	596	6356	5378	5371	2388
17500	3175	3006	4453	2220	2064	1964	1875	1323	796	6356	5655	5371	2388
22500	3175	3006	4453	2220	2064	1964	1935	1422	796	6356	6210	5371	2388
32500	3175	3006	4453	2220	2064	1964	1935	1422	796	6356	7228	5371	2388



JU21000 V

MACHINE TYPE			JU21000 V														
CLAMPING UNIT	Clamping force	kN	21000														
	Mold opening stroke ^①	mm	2700/1800														
	Mold height min.	mm	800														
	Mold height max.	mm	1700														
	Total daylight max.	mm	3500														
	Dist. between tie-bars (H×V)	mm	1920×1480														
	Ejector stroke	mm	450														
	Ejector force	kN	450														
Mold weight max. ^②	t	50															
INJECTION UNIT			11500				17500			22500				32500		40500	
			A	B	C	D	A	B	C	A	B	C	D	A	B	A	B
	Screw diameter	mm	110	120	130	140	130	140	150	140	150	160	170	160	170	170	185
	Screw L/D ratio	L/D	26.2	24	22.2	20.6	24	22.3	20.8	24	22.4	21	19.8	24	22.6	23.5	21.6
	Injection volume (theoretical)	cm ³	5226	6220	7300	8466	8362	9698	11133	10467	12016	13672	15434	17492	19747	23378	27686
	Injection weight (PS)	g	4756	5660	6643	7704	7609	8825	10131	9525	10935	12441	14045	15918	17970	21274	25194
	Injection rate (PS) ^③	g/s	1255	1493	1753	2033	1281	1486	1705	1352	1552	1766	1994	1559	1761	1576	1867
	Injection pressure	MPa	189	159	135	117	185	160	139	185	161	141	125	160	142	159	134
	Injection pressure (max)	MPa	217	183	156	134	210	181	158	211	184	161	143	180	159	179	151
	Plasticizing rate (GPPS) ^④	g/s	123.0	142.0	164.0	187.0	168.0	192.0	220.0	155.0	176.0	196.0	222.0	\	\	\	\
	Plasticizing rate (HDPE) ^⑤	g/s	187.0	217.0	240.0	273.0	252.0	283.0	336.0	243.0	294.0	303.0	334.0	280.0	310.0	309.0	320.0
Screw speed	rpm	125				102			85				72		70		
OTHERS	Pump motor power	kW	195				195			205				205		205	
	Heater power	kW	104				123			137				189		211	
	Machine dimension (L×W×H) ^⑥	m	11.59×4.19×3.37				12.77×4.19×4.38			13.00×4.19×4.38				13.95×4.19×4.38		14.78×4.19×4.38	
	Machine weight	t	94				98			102				105		112	
	Hopper capacity (OP)	kg	50				50			50				50		50	
	Oil tank ^⑦	l	840				1670			1670				1670		1670	

NOTE:

- ① With min. mold height / with max. mold height.
- ② Moving platen: 2/3 of max. mold weight.
- ③ The injection rate refers to the parameter in the differential injection condition.
- ④ Plasticizing capacity (GPPS): GB standard, with application of GPPS plasticizing capacity of 3-zone screws.
- ⑤ Plasticizing capacity (HDPE): Euromap 19, with application of HDPE plasticizing capacity of barrier screws.
- ⑥ The size is the net size of the machine, excluding the width of the feeding platform and the working platform.
- ⑦ The oil tank volume refers to the volume of the oil tank itself, excluding the volume in cylinder and pipeline. In this sense, the customer is advised to prepare the hydraulic oil according to 1.35 times of the oil tank volume.

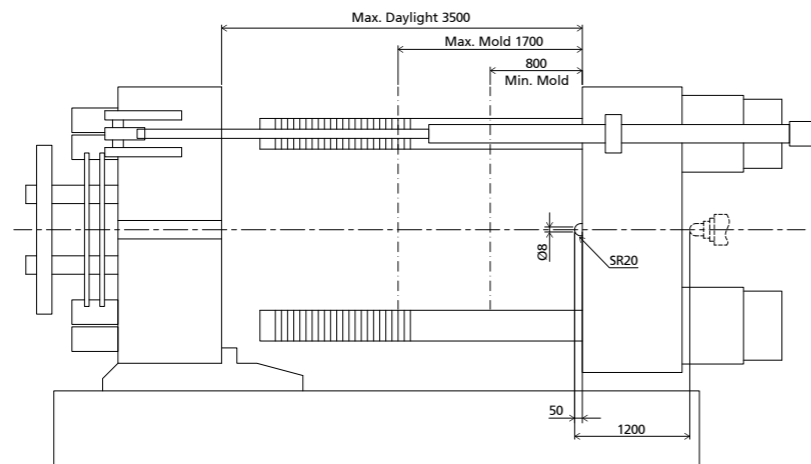
The above plasticizing capacity is for reference only.

We reserve the right to make changes as a result of further technical advantages.

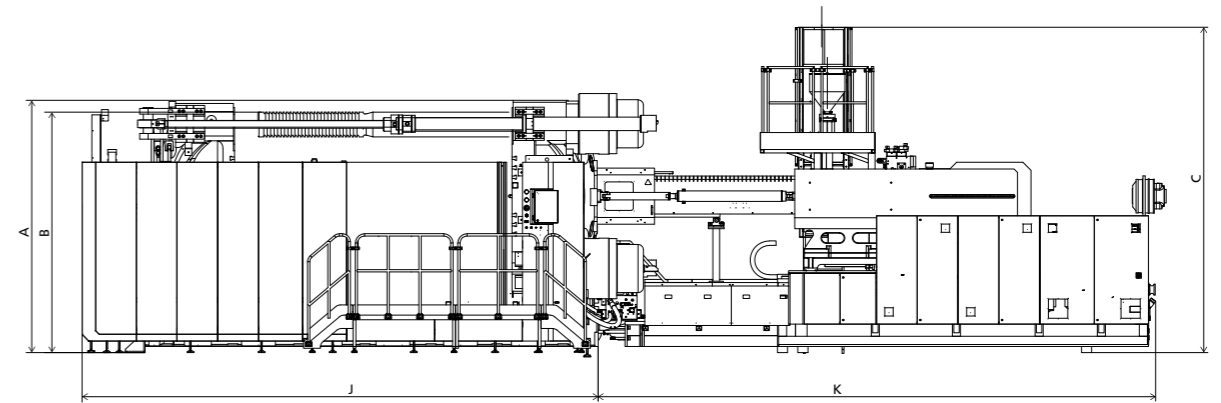


DIMENSIONS JU21000 V

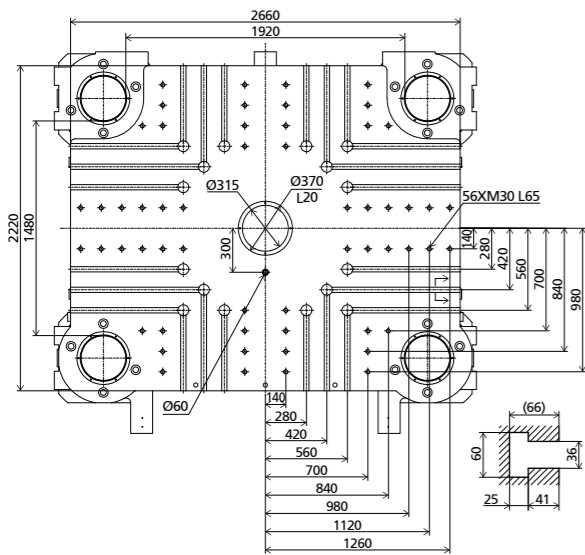
CLAMPING UNIT



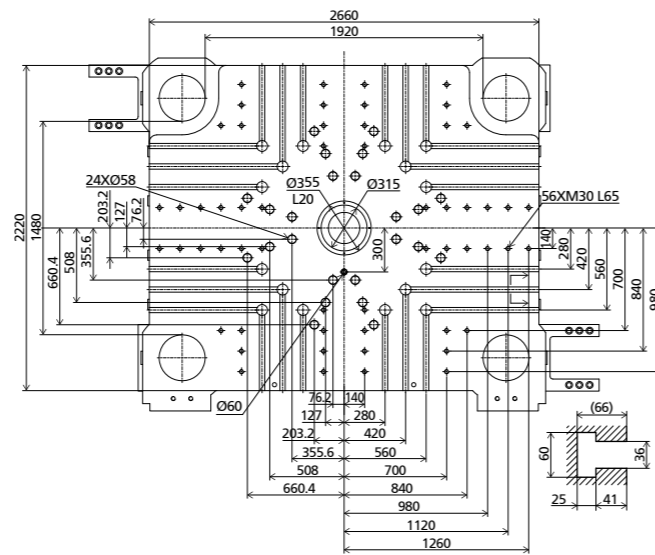
FRONT VIEW



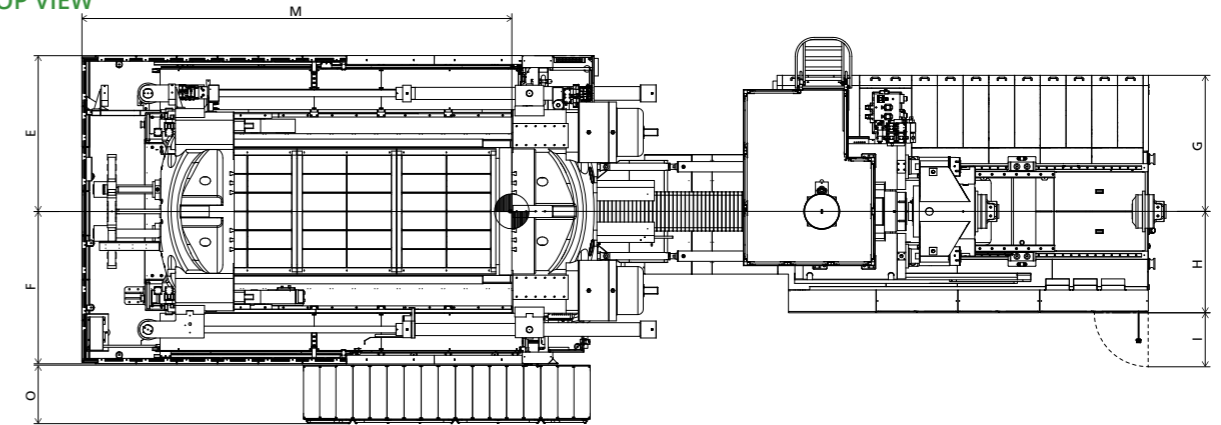
FIXED PLATEN DIMENSIONS



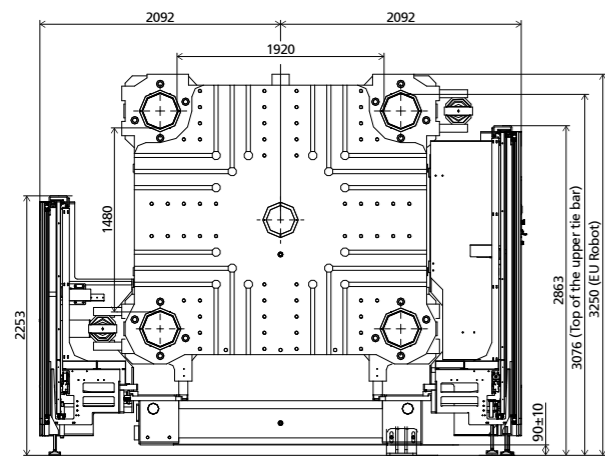
MOVING PLATEN DIMENSIONS



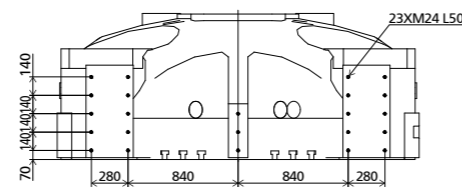
TOP VIEW



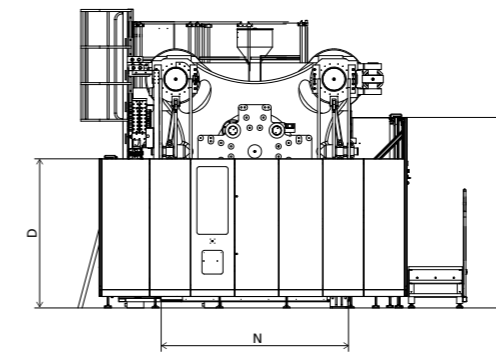
ROBOT MECHANICAL INTERFACE



ROBOTTOP VIEW FIXED PLATEN



SIDE VIEW



STANDARD

	INJECTION UNIT										DIMENSIONS (mm)				
	A	B	C	D	E	F	G	H	I	J	K	L	M	N	O
11500	3250	3076	3370	2202	2092	2092	1308	1215	596	6425	5378	2812	5440	2442	864
17500	3250	3076	4377	2202	2092	2092	1875	1323	796	6425	5755	2812	5440	2442	864
22500	3250	3076	4377	2202	2092	2092	1935	1422	796	6425	6260	2812	5440	2442	864
32500	3250	3076	4377	2202	2092	2092	1935	1422	796	6425	7278	2812	5440	2442	864
40500	3250	3076	4377	2202	2092	2092	1965	1452	796	6425	7966	2812	5440	2442	864



JU24000 V

MACHINE TYPE		JU24000 V												
CLAMPING UNIT	Clamping force	kN	24000											
	Mold opening stroke ^①	mm	3000/2000											
	Mold height min.	mm	800											
	Mold height max.	mm	1800											
	Total daylight max.	mm	3800											
	Dist. between tie-bars (H×V)	mm	2020×1620											
	Ejector stroke	mm	500											
	Ejector force	kN	450											
	Mold weight max. ^②	t	59											
			17500			22500			32500			40500		
			A	B	C	A	B	C	D	A	B	A	B	
INJECTION UNIT	Screw diameter	mm	130	140	150	140	150	160	170	160	170	170	185	
	Screw L/D ratio	L/D	24	22.3	20.8	24	22.4	21	19.8	24	22.6	23.5	21.6	
	Injection volume (theoretical)	cm ³	8362	9698	11133	10467	12016	13672	15434	17492	19747	23378	27686	
	Injection weight (PS)	g	7609	8825	10131	9525	10935	12441	14045	15918	17970	21274	25194	
	Injection rate (PS) ^③	g/s	1348	1564	1795	1352	1552	1766	1994	1559	1761	1576	1867	
	Injection pressure	MPa	185	160	139	185	161	141	125	160	142	159	134	
	Injection pressure (max)	MPa	210	181	158	211	184	161	143	180	159	179	151	
	Plasticizing rate (GPPS) ^④	g/s	168.0	192.0	220.0	155.0	176.0	196.0	222.0	\	\	\	\	
	Plasticizing rate (HDPE) ^⑤	g/s	252.0	283.0	336.0	243.0	294.0	303.0	334.0	280.0	310.0	309.0	320.0	
Screw speed	rpm		114			85			72			70		
OTHERS	Pump motor power	kW		205			205			205			205	
	Heater power	kW		123			137			189			211	
	Machine dimension (L×W×H) ^⑥	m		13.21×4.55×4.36			13.45×4.55×4.36			14.40×4.55×4.36			15.23×4.55×4.36	
	Machine weight	t		114			118			121			129	
	Hopper capacity (OP)	kg		50			50			50			50	
Oil tank ^⑦	l		1670			1670			1670			1670		

NOTE:

- ① With min. mold height / with max. mold height.
- ② Moving platen: 2/3 of max. mold weight.
- ③ The injection rate refers to the parameter in the differential injection condition.
- ④ Plasticizing capacity (GPPS): GB standard, with application of GPPS plasticizing capacity of 3-zone screws.
- ⑤ Plasticizing capacity (HDPE): Euromap 19, with application of HDPE plasticizing capacity of barrier screws.
- ⑥ The size is the net size of the machine, excluding the width of the feeding platform and the working platform.
- ⑦ The oil tank volume refers to the volume of the oil tank itself, excluding the volume in cylinder and pipeline. In this sense, the customer is advised to prepare the hydraulic oil according to 1.35 times of the oil tank volume.

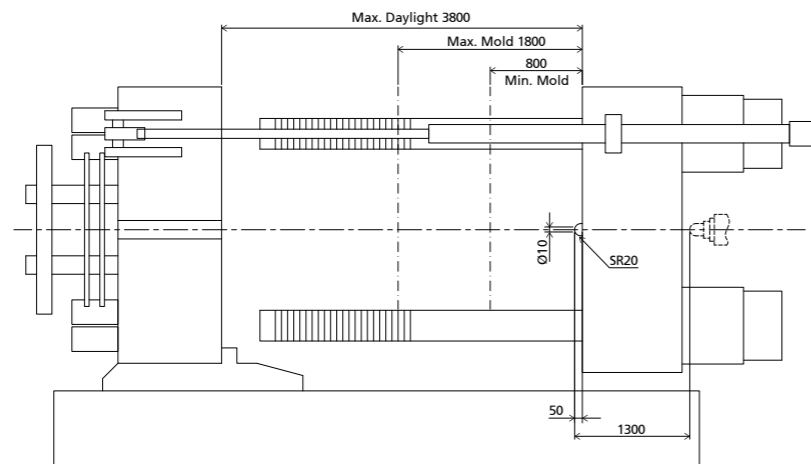
The above plasticizing capacity is for reference only.

We reserve the right to make changes as a result of further technical advantages.

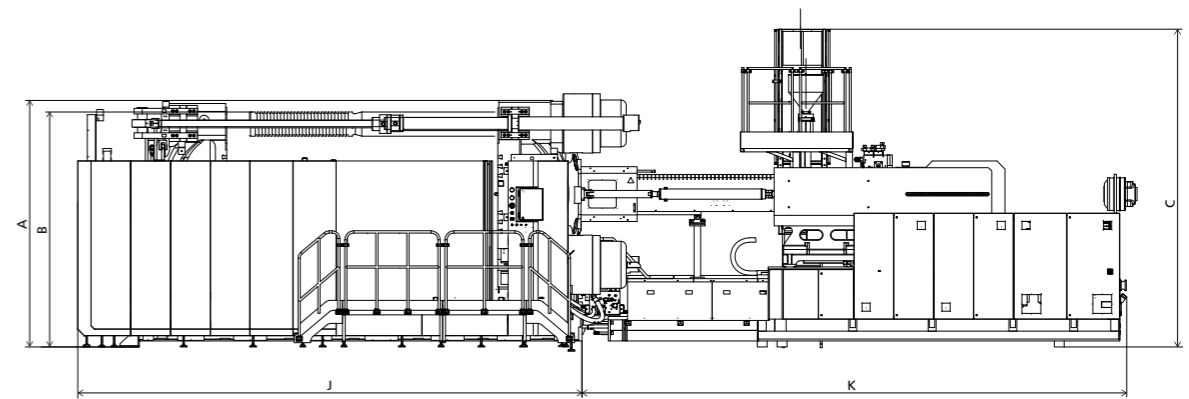


DIMENSIONS JU24000 V

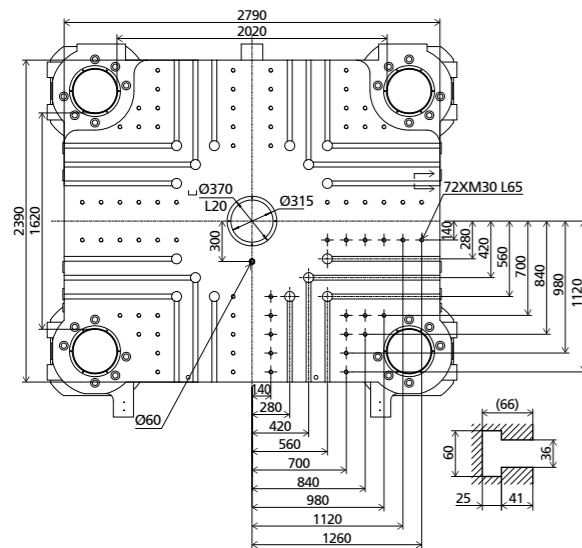
CLAMPING UNIT



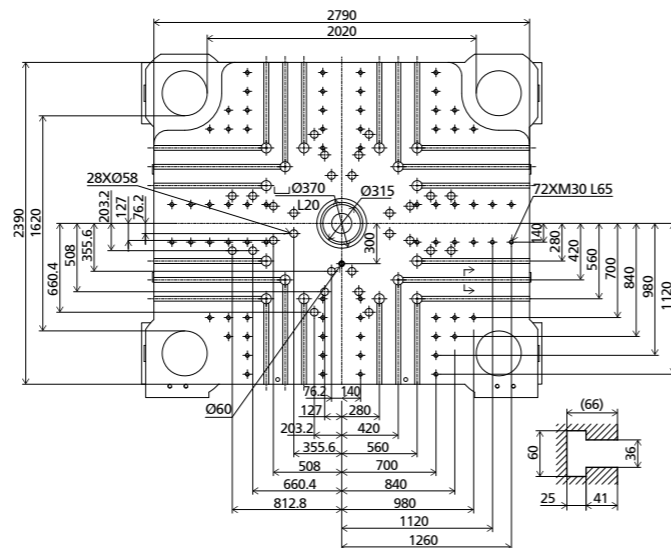
FRONT VIEW



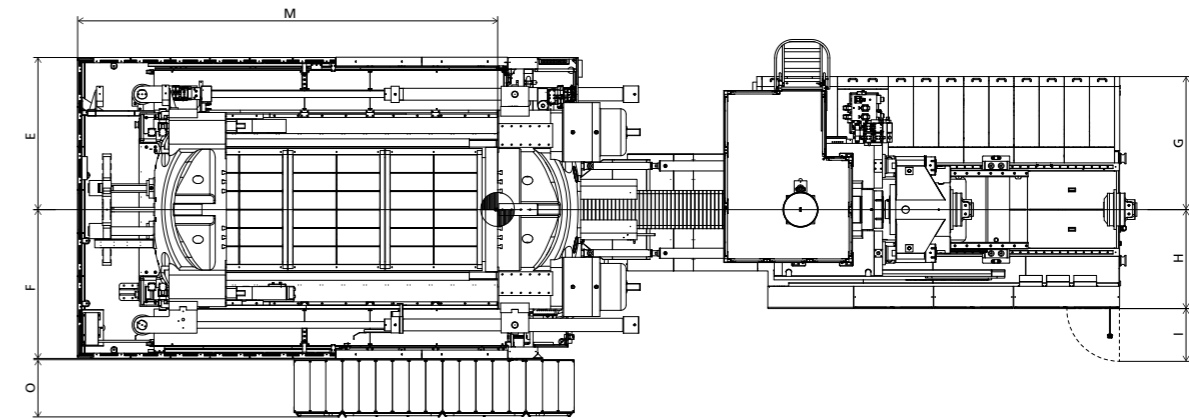
FIXED PLATEN DIMENSIONS



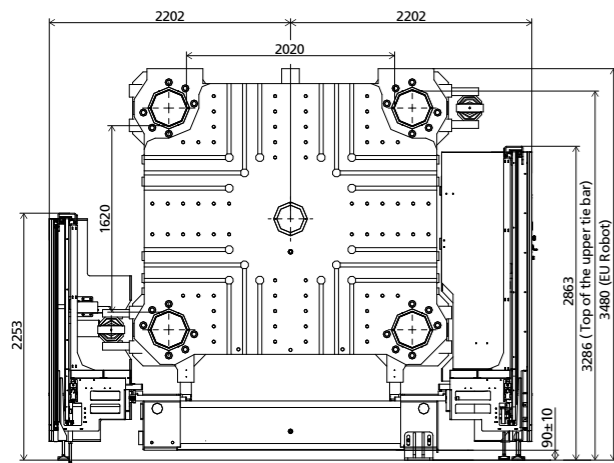
MOVING PLATEN DIMENSIONS



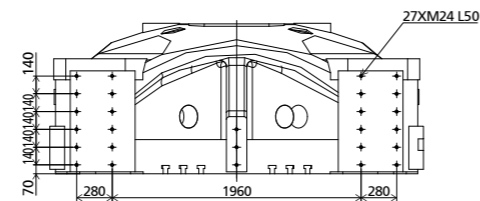
TOP VIEW



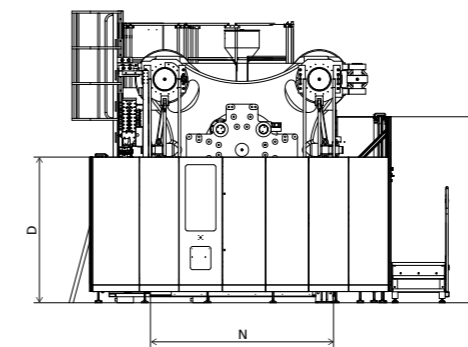
ROBOT MECHANICAL INTERFACE



ROBOTTOP VIEW FIXED PLATEN



SIDE VIEW



STANDARD

	INJECTION UNIT										DIMENSIONS (mm)				
	A	B	C	D	E	F	G	H	I	J	K	L	M	N	O
17500	3480	3286	4360	2202	2300	2249	1875	1323	796	7081	5655	2812	5886	2672	864
22500	3480	3286	4360	2202	2300	2249	1935	1422	796	7081	6210	2812	5886	2672	864
32500	3480	3286	4360	2202	2300	2249	1935	1422	796	7081	7178	2812	5886	2672	864
40500	3480	3286	4360	2202	2300	2249	1965	1452	796	7081	7766	2812	5886	2672	864



JU28000 V

MACHINE TYPE		JU28000 V										
CLAMPING UNIT	Clamping force	kN	28000									
	Mold opening stroke ^①	mm	3300/2100									
	Mold height min.	mm	800									
	Mold height max.	mm	2000									
	Total daylight max.	mm	4100									
	Dist. between tie-bars (H×V)	mm	2185×1755									
	Ejector stroke	mm	500									
	Ejector force	kN	450									
Mold weight max. ^②	t	66										
			22500				32500		40500		50500	62500
			A	B	C	D	A	B	A	B	B	B
INJECTION UNIT	Screw diameter	mm	140	150	160	170	160	170	170	185	200	220
	Screw L/D ratio	L/D	24	22.4	21	19.8	24	22.6	23.5	21.6	20	20.5
	Injection volume (theoretical)	cm ³	10467	12016	13672	15434	17492	19747	23378	27686	35185	45615
	Injection weight (PS)	g	9525	10935	12441	14045	15918	17970	21274	25194	32019	41510
	Injection rate (PS) ^③	g/s	1352	1552	1766	1994	1559	1761	1576	1867	2386	2617
	Injection pressure	MPa	185	161	141	125	160	142	159	134	132	120
	Injection pressure (max)	MPa	211	184	161	143	180	159	179	151	147	135
	Plasticizing rate (GPPS) ^④	g/s	155.0	176.0	196.0	222.0	\	\	\	\	\	\
	Plasticizing rate (HDPE) ^⑤	g/s	243.0	294.0	303.0	334.0	280.0	310.0	309.0	320.0	380.0	370.0
Screw speed	rpm	94				81		70		70	53	
OTHERS	Pump motor power	kW	205				205		205		255	255
	Heater power	kW	137				189		211		211	228
	Machine dimension (L×W×H) ^⑥	m	13.91×4.55×4.42				14.86×4.55×4.42		15.69×4.55×4.42		16.02×4.55×4.42	16.57×4.55×4.42
	Machine weight	t	138				141		148		153	156
	Hopper capacity (OP)	kg	50				50		50		50	50
	Oil tank ^⑦	l	1670				1670		1670		2800	2800

NOTE:

- ① With min. mold height / with max. mold height.
- ② Moving platen: 2/3 of max. mold weight.
- ③ The injection rate refers to the parameter in the differential injection condition.
- ④ Plasticizing capacity (GPPS): GB standard, with application of GPPS plasticizing capacity of 3-zone screws.
- ⑤ Plasticizing capacity (HDPE): Euromap 19, with application of HDPE plasticizing capacity of barrier screws.
- ⑥ The size is the net size of the machine, excluding the width of the feeding platform and the working platform.
- ⑦ The oil tank volume refers to the volume of the oil tank itself, excluding the volume in cylinder and pipeline. In this sense, the customer is advised to prepare the hydraulic oil according to 1.35 times of the oil tank volume.

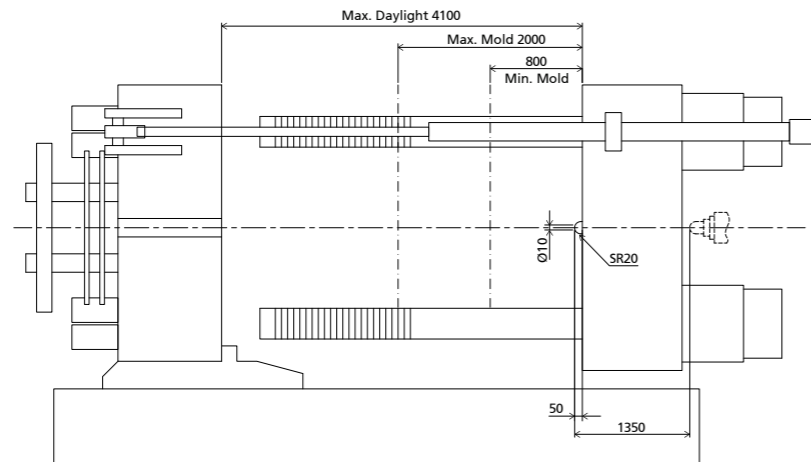
The above plasticizing capacity is for reference only.

We reserve the right to make changes as a result of further technical advantages.

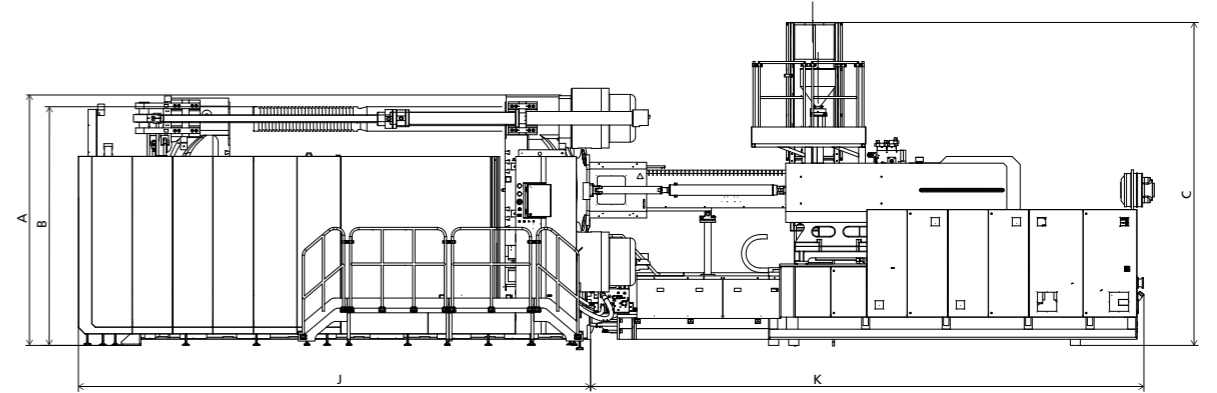


DIMENSIONS JU28000 V

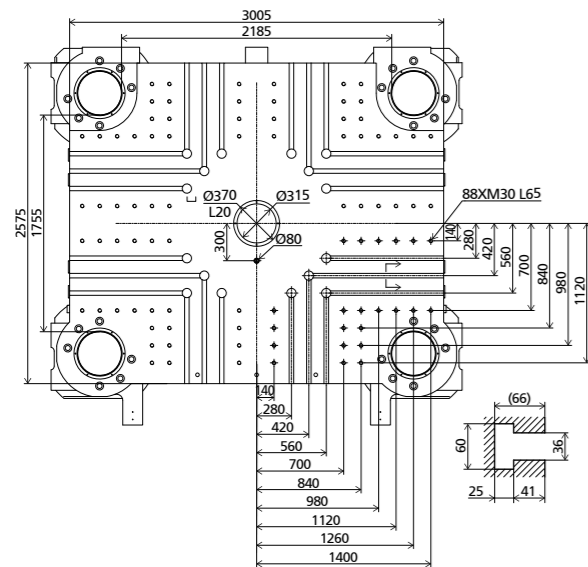
CLAMPING UNIT



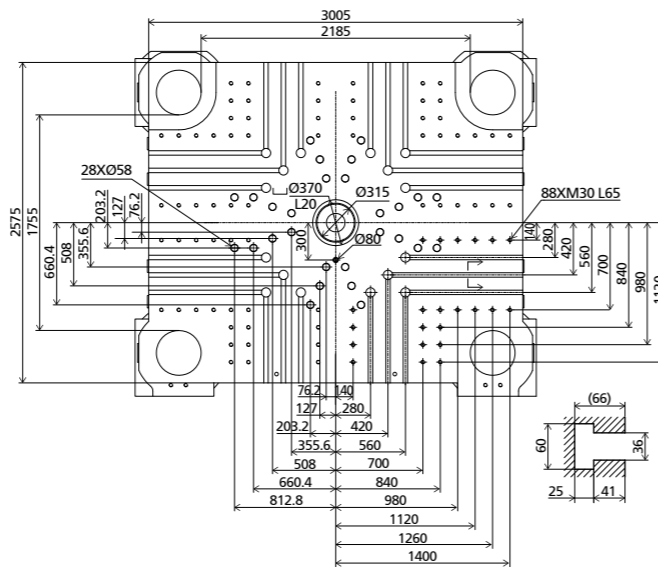
FRONT VIEW



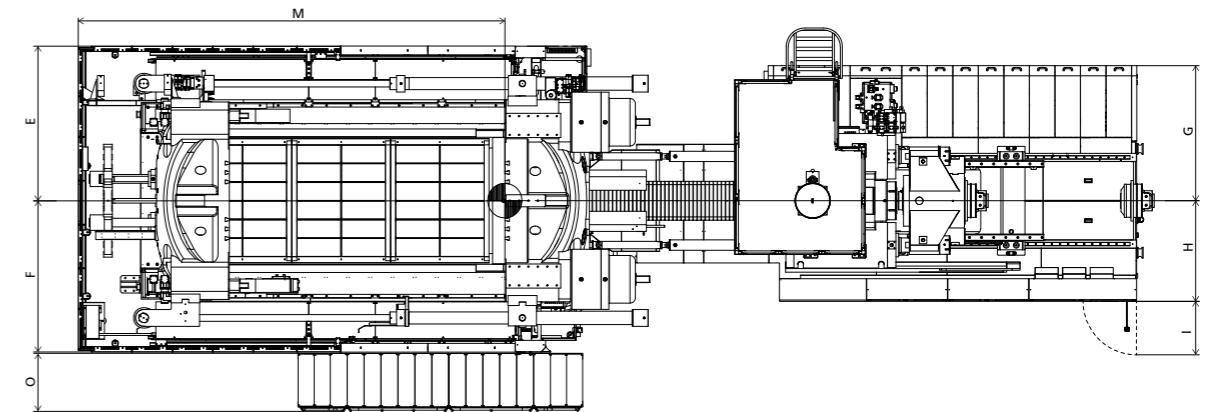
FIXED PLATEN DIMENSIONS



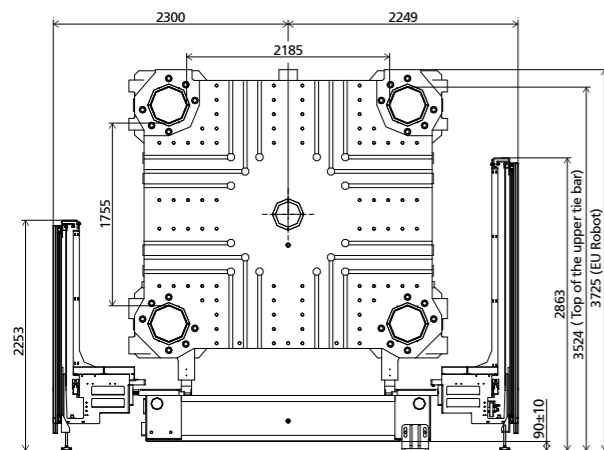
MOVING PLATEN DIMENSIONS



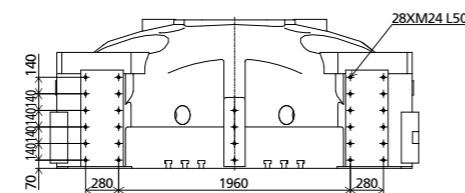
TOP VIEW



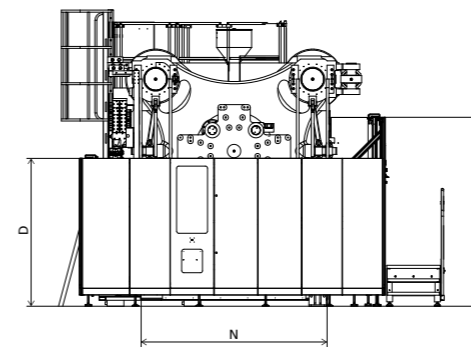
ROBOT MECHANICAL INTERFACE



ROBOTTOP VIEW FIXED PLATEN



SIDE VIEW



STANDARD

	INJECTION UNIT										DIMENSIONS (mm)				
	A	B	C	D	E	F	G	H	I	J	K	L	M	N	O
22500	3725	3524	5052	2202	2300	2249	1935	1422	796	7620	6160	2812	6350	2767	864
32500	3725	3524	5062	2202	2300	2249	1935	1422	796	7620	7178	2812	6350	2767	864
40500	3725	3524	5087	2202	2300	2249	1965	1452	796	7620	7766	2812	6350	2767	864
50500	3725	3524	5122	2202	2300	2249	2010	1497	796	7620	8228	2812	6350	2767	864
62500	3725	3524	5122	2202	2300	2249	2010	1497	796	7620	8778	2812	6350	2767	864



JU33000 V

MACHINE TYPE												JU33000 V	
CLAMPING UNIT	Clamping force	kN										33000	
	Mold opening stroke ^①	mm										3200/2200	
	Mold height min.	mm										1000	
	Mold height max.	mm										2000	
	Total daylight max.	mm										4200	
	Dist. between tie-bars (H×V)	mm										2270×1900	
	Ejector stroke	mm										550	
	Ejector force	kN										580	
Mold weight max. ^②	t										75		
INJECTION UNIT			22500				32500		40500		50500	62500	
			A	B	C	D	A	B	A	B	B	B	
	Screw diameter	mm	140	150	160	170	160	170	170	185	200	220	
	Screw L/D ratio	L/D	24	22.4	21	19.8	24	22.6	23.5	21.6	200	20.5	
	Injection volume (theoretical)	cm ³	10467	12016	13672	15434	17492	19747	23378	27686	35185	45615	
	Injection weight (PS)	g	9525	10935	12441	14045	15918	17970	21274	25194	32019	41510	
	Injection rate (PS) ^③	g/s	1352	1552	1766	1994	1559	1761	1576	1867	2386	2617	
	Injection pressure	MPa	185	161	141	125	160	142	159	134	132	120	
	Injection pressure (max)	MPa	211	184	161	143	180	159	179	151	147	135	
	Plasticizing rate (GPPS) ^④	g/s	155.0	176.0	196.0	222.0	\	\	\	\	\	\	
Plasticizing rate (HDPE) ^⑤	g/s	243.0	294.0	303.0	334.0	280.0	310.0	309.0	320.0	380.0	370.0		
Screw speed	rpm	94				81		70		70		53	
OTHERS	Pump motor power	kW	205				205		205		255		255
	Heater power	kW	137				189		211		211		228
	Machine dimension (L×W×H) ^⑥	m	14.27×4.91×4.43				15.22×4.91×4.43		16.05×4.91×4.43		16.37×4.91×4.43		17.41*4.91*4.43
	Machine weight	t	164				167		174		179		183
	Hopper capacity (OP)	kg	50				50		50		50		50
	Oil tank ^⑦	l	1670				1670		1670		2800		2800

NOTE:

- ① With min. mold height / with max. mold height.
- ② Moving platen: 2/3 of max. mold weight.
- ③ The injection rate refers to the parameter in the differential injection condition.
- ④ Plasticizing capacity (GPPS): GB standard, with application of GPPS plasticizing capacity of 3-zone screws.
- ⑤ Plasticizing capacity (HDPE): Euromap 19, with application of HDPE plasticizing capacity of barrier screws.
- ⑥ The size is the net size of the machine, excluding the width of the feeding platform and the working platform.
- ⑦ The oil tank volume refers to the volume of the oil tank itself, excluding the volume in cylinder and pipeline. In this sense, the customer is advised to prepare the hydraulic oil according to 1.35 times of the oil tank volume.

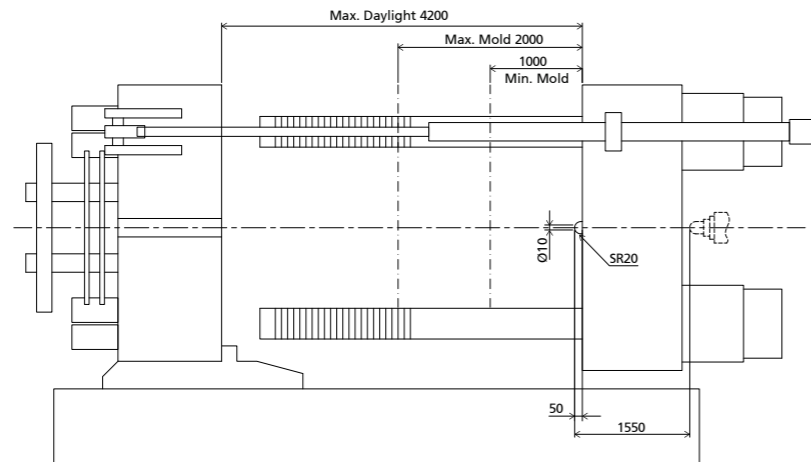
The above plasticizing capacity is for reference only.

We reserve the right to make changes as a result of further technical advantages.

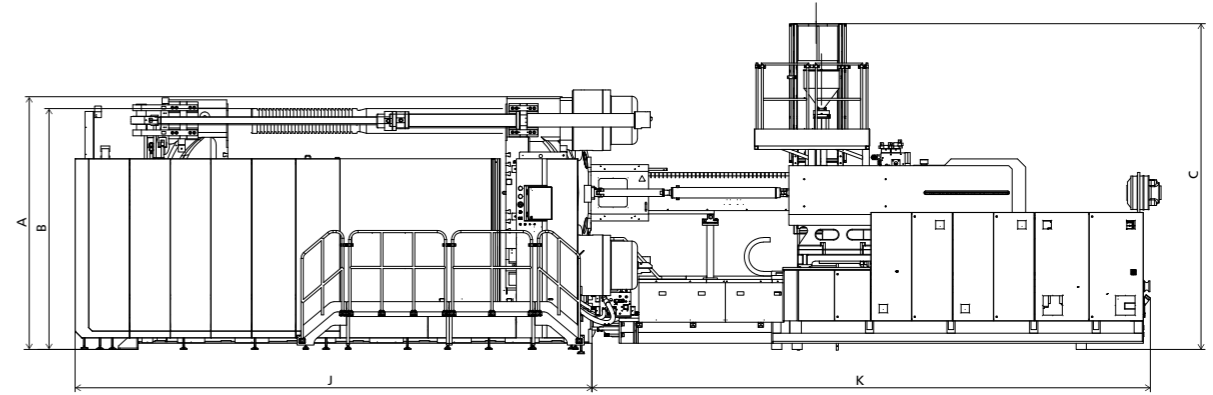


DIMENSIONS JU33000 V

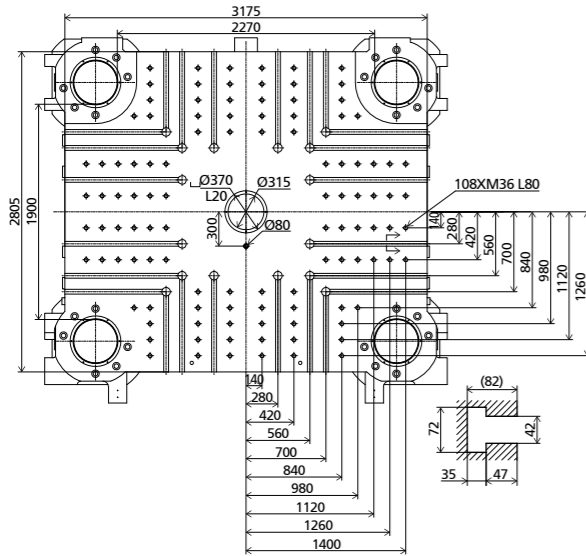
CLAMPING UNIT



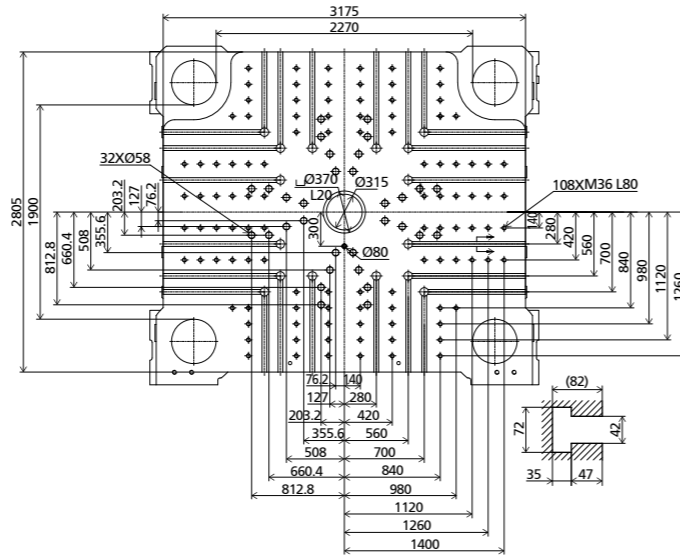
FRONT VIEW



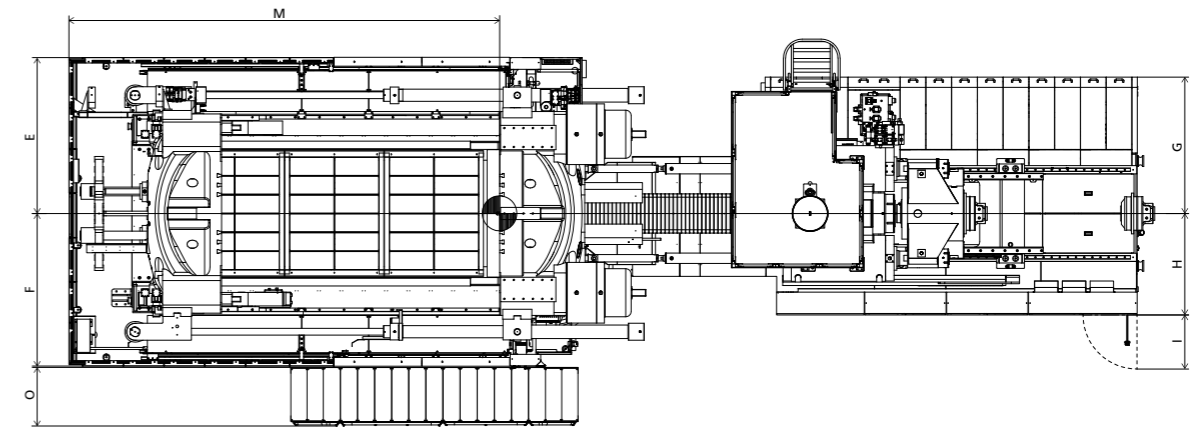
FIXED PLATEN DIMENSIONS



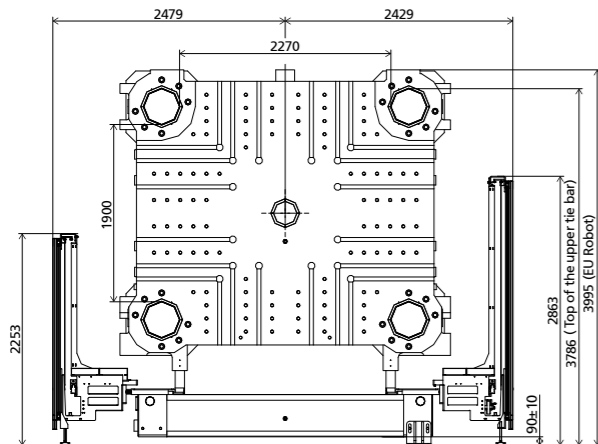
MOVING PLATEN DIMENSIONS



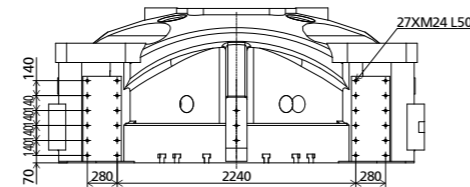
TOP VIEW



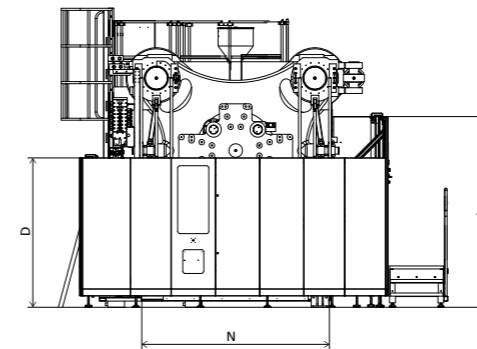
ROBOT MECHANICAL INTERFACE



ROBOTTOP VIEW FIXED PLATEN



SIDE VIEW



STANDARD

	INJECTION UNIT										DIMENSIONS (mm)				
	A	B	C	D	E	F	G	H	I	J	K	L	M	N	O
22500	3995	3786	5212	2202	2479	2429	1935	1422	796	8075	6260	2812	6705	3126	864
32500	3995	3786	5222	2202	2479	2429	1935	1422	796	8075	7278	2812	6705	3126	864
40500	3995	3786	5247	2202	2479	2429	1965	1452	796	8075	7866	2812	6705	3126	864
50500	3995	3786	5282	2202	2479	2429	2010	1497	796	8075	8378	2812	6705	3126	864
62500	3995	3786	5282	2202	2479	2429	2010	1497	796	8075	8678	2812	6705	3126	864



JU40000 V

MACHINE TYPE		JU40000 V	
CLAMPING UNIT	Clamping force	kN	40000
	Mold opening stroke ^①	mm	3460/2260
	Mold height min.	mm	1000
	Mold height max.	mm	2200
	Total daylight max.	mm	4460
	Dist. between tie-bars (H×V)	mm	2400×2000
	Ejector stroke	mm	550
	Ejector force	kN	580
Mold weight max. ^②	t	86	
		93500	106500
		B	B
INJECTION UNIT	Screw diameter	mm	240
	Screw L/D ratio	L/D	23
	Injection volume (theoretical)	cm ³	60167
	Injection weight (PS)	g	54752
	Injection rate (PS) ^③	g/s	3188
	Injection pressure	MPa	141
	Injection pressure (max)	MPa	155
	Plasticizing rate (GPPS) ^④	g/s	\
	Plasticizing rate (HDPE) ^⑤	g/s	470.0
	Screw speed	rpm	50
OTHERS	Pump motor power	kW	360
	Heater power	kW	297
	Machine dimension (L×W×H) ^⑥	m	19.70×5.05×4.50
	Machine weight	t	225
	Hopper capacity (OP)	kg	50
	Oil tank ^⑦	l	3150

NOTE:

- ① With min. mold height / with max. mold height.
- ② Moving platen: 2/3 of max. mold weight.
- ③ The injection rate refers to the parameter in the differential injection condition.
- ④ Plasticizing capacity (GPPS): GB standard, with application of GPPS plasticizing capacity of 3-zone screws.
- ⑤ Plasticizing capacity (HDPE): Euromap 19, with application of HDPE plasticizing capacity of barrier screws.
- ⑥ The size is the net size of the machine, excluding the width of the feeding platform and the working platform.
- ⑦ The oil tank volume refers to the volume of the oil tank itself, excluding the volume in cylinder and pipeline. In this sense, the customer is advised to prepare the hydraulic oil according to 1.35 times of the oil tank volume.

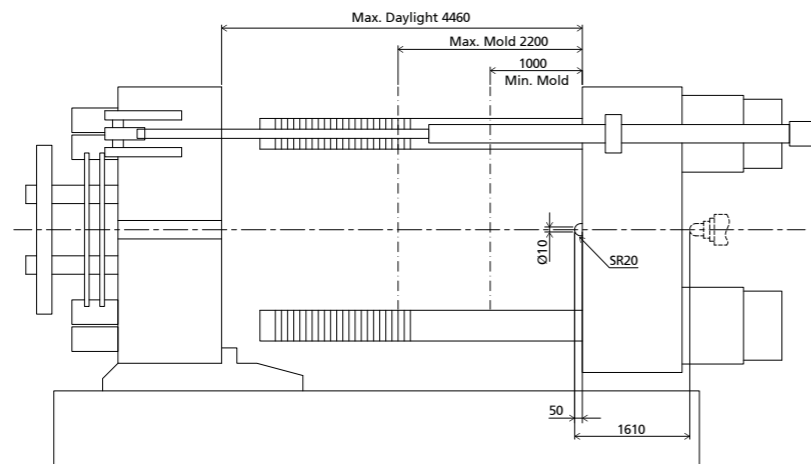
The above plasticizing capacity is for reference only.

We reserve the right to make changes as a result of further technical advantages.

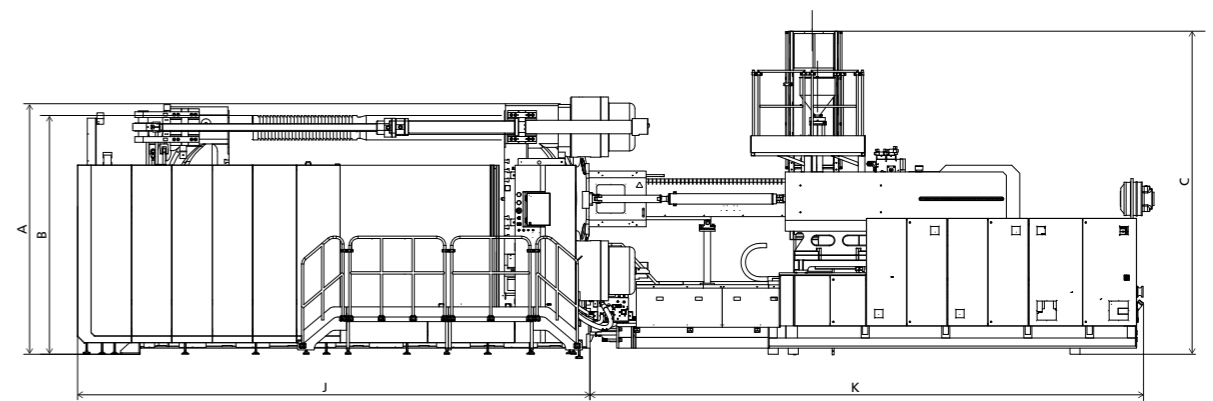


DIMENSIONS JU40000 V

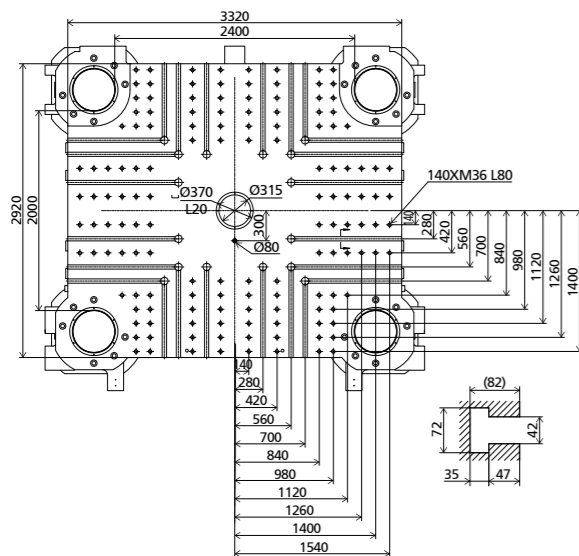
CLAMPING UNIT



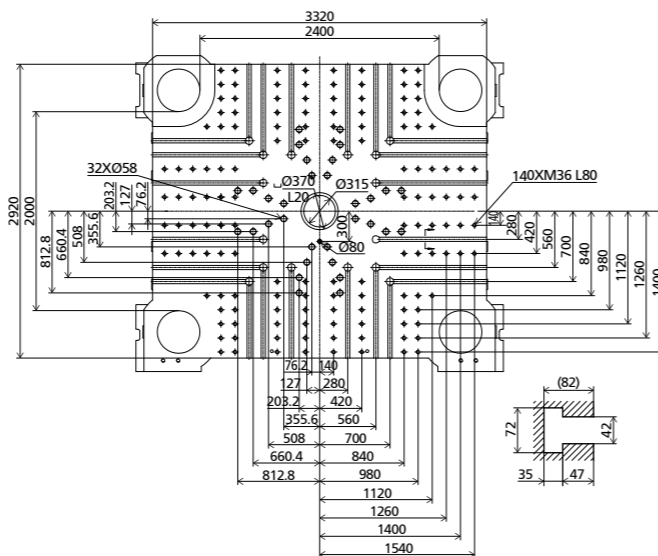
FRONT VIEW



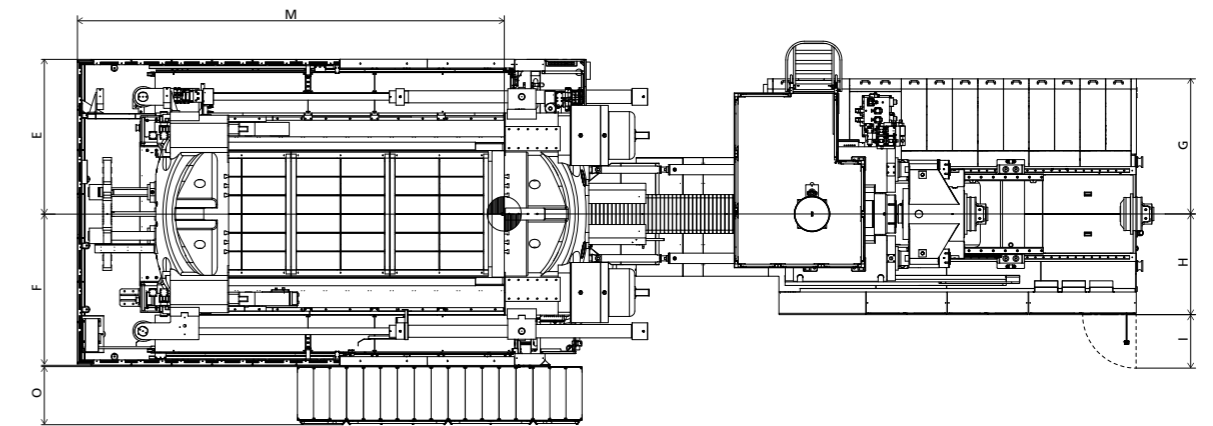
FIXED PLATEN DIMENSIONS



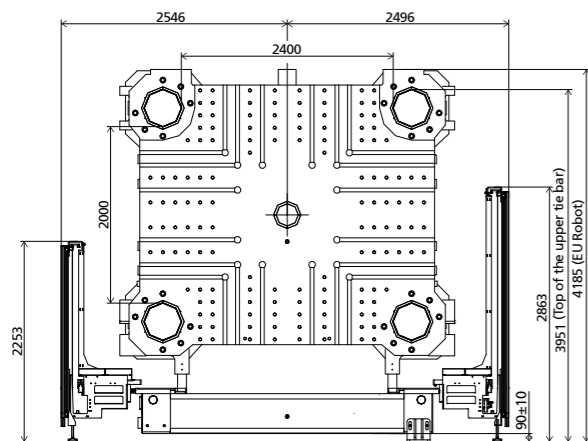
MOVING PLATEN DIMENSIONS



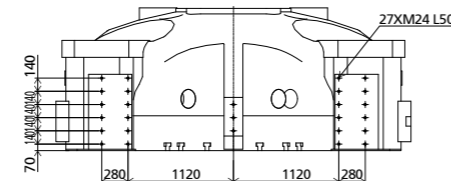
TOP VIEW



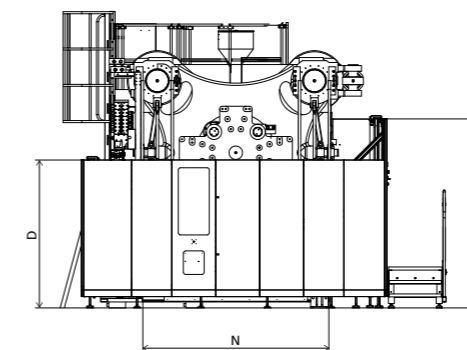
ROBOT MECHANICAL INTERFACE



ROBOT TOP VIEW FIXED PLATEN



SIDE VIEW



STANDARD

	INJECTION UNIT										DIMENSIONS (mm)				
	A	B	C	D	E	F	G	H	I	J	K	L	M	N	O
93500	4185	3951	5699	2202	2546	2496	2085	1562	796	8511	10092	2812	7051	3260	864
106500	4185	3951	5699	2202	2546	2496	2085	1562	796	8511	10742	2812	7051	3260	864



JU55000 V

MACHINE TYPE			JU55000 V	
CLAMPING UNIT	Clamping force	kN		55000
	Mold opening stroke ^①	mm		3500/4700
	Mold height min.	mm		1300
	Mold height max.	mm		2500
	Total daylight max.	mm		6000
	Dist. between tie-bars (H×V)	mm		2600×2600
	Ejector stroke	mm		600
	Ejector force	kN		800
Mold weight max. ^②	t		130	
		93500		106500
		B		B
INJECTION UNIT	Screw diameter	mm	240	260
	Screw L/D ratio	L/D	23	23
	Injection volume (theoretical)	cm ³	60167	80170
	Injection weight (PS)	g	54752	72954
	Injection rate (PS) ^③	g/s	3188	3741
	Injection pressure	MPa	141	120
	Injection pressure (max)	MPa	155	132
	Plasticizing rate (GPPS) ^④	g/s	\	\
	Plasticizing rate (HDPE) ^⑤	g/s	470.0	500.0
Screw speed	rpm	50	42	
OTHERS	Pump motor power	kW	360	360
	Heater power	kW	297	321
	Machine dimension (L×W×H) ^⑥	m	21.46×5.68×5.07	22.01×5.68×5.07
	Machine weight	t	365	370
	Hopper capacity (OP)	kg	50	50
Oil tank ^⑦	l	3150	3150	

NOTE:

- ① With min. mold height / with max. mold height.
- ② Moving platen: 2/3 of max. mold weight.
- ③ The injection rate refers to the parameter in the differential injection condition.
- ④ Plasticizing capacity (GPPS): GB standard, with application of GPPS plasticizing capacity of 3-zone screws.
- ⑤ Plasticizing capacity (HDPE): Euromap 19, with application of HDPE plasticizing capacity of barrier screws.
- ⑥ The size is the net size of the machine, excluding the width of the feeding platform and the working platform.
- ⑦ The oil tank volume refers to the volume of the oil tank itself, excluding the volume in cylinder and pipeline. In this sense, the customer is advised to prepare the hydraulic oil according to 1.35 times of the oil tank volume.

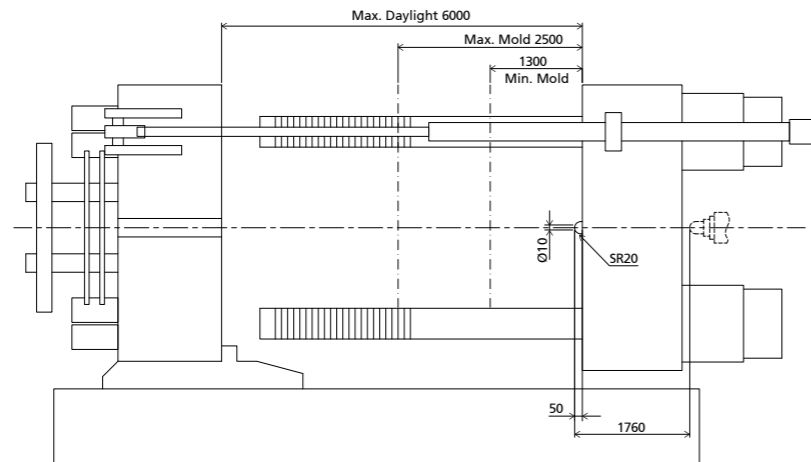
The above plasticizing capacity is for reference only.

We reserve the right to make changes as a result of further technical advantages.

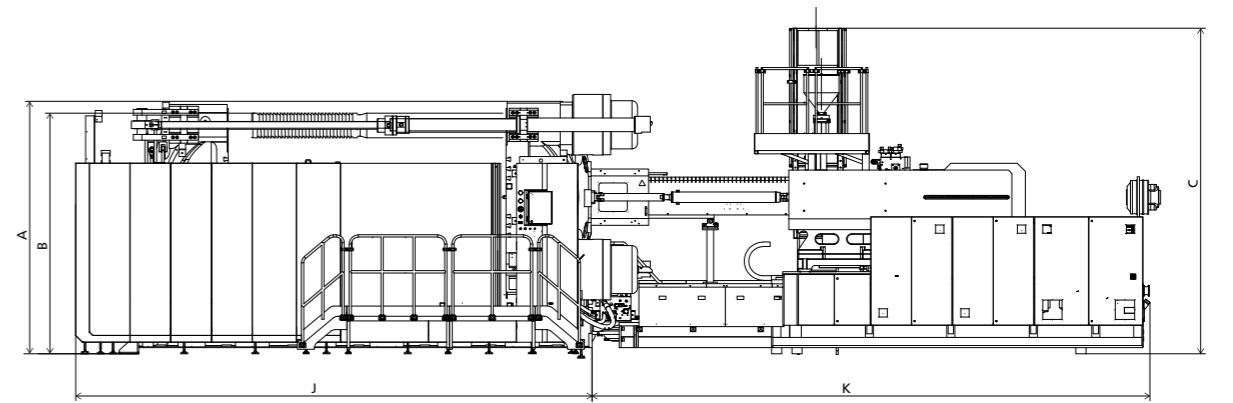


DIMENSIONS JU5000 V

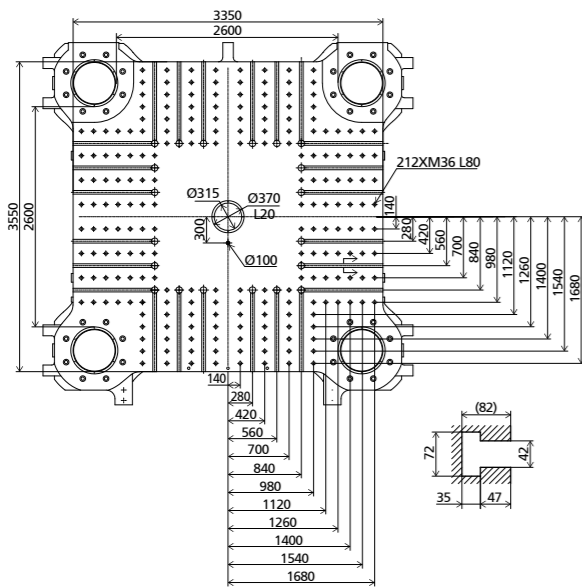
CLAMPING UNIT



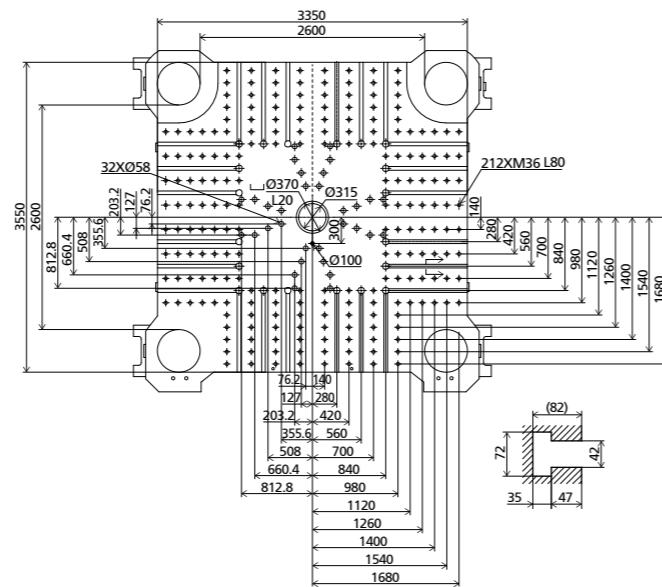
FRONT VIEW



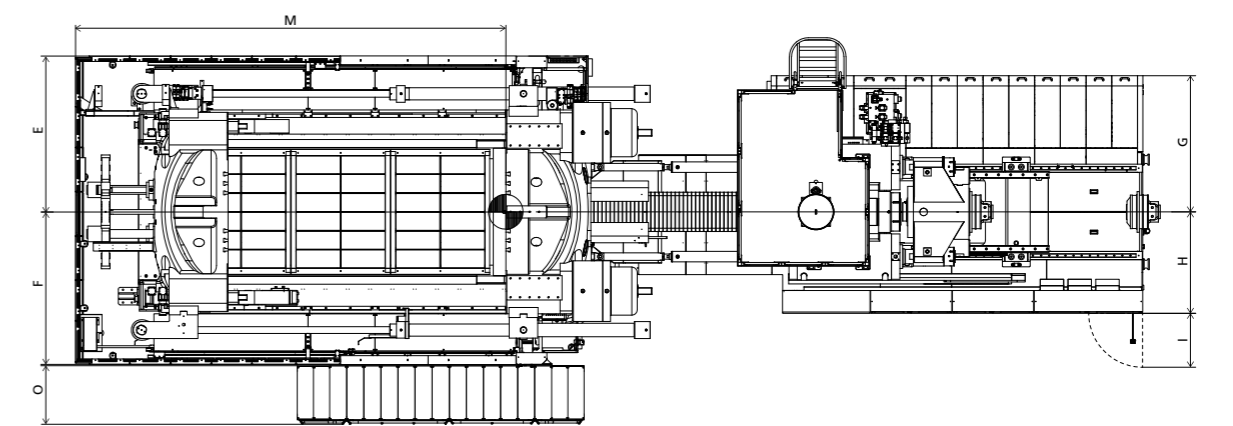
FIXED PLATEN DIMENSIONS



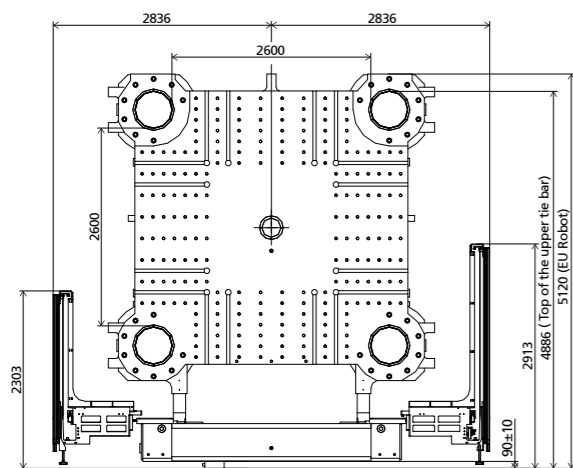
MOVING PLATEN DIMENSIONS



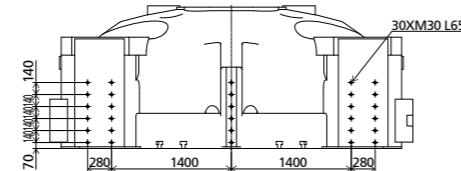
TOP VIEW



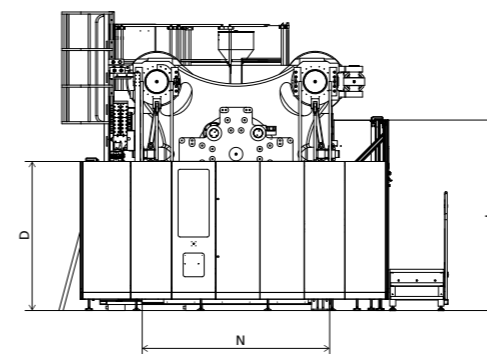
ROBOT MECHANICAL INTERFACE



ROBOTTOP VIEW FIXED PLATEN



SIDE VIEW



STANDARD

	INJECTION UNIT										DIMENSIONS (mm)				
	A	B	C	D	E	F	G	H	I	J	K	L	M	N	O
93500	5120	4886	6274	2252	2836	2836	2085	1562	796	10413	10192	2862	8812	3340	864
106500	5120	4886	6274	2252	2836	2836	2085	1562	796	10413	10592	2862	8812	3340	864



SPECIFICATION

JU66000 V

MACHINE TYPE		JU66000 V		
CLAMPING UNIT	Clamping force	kN	66000	
	Mold opening stroke ^①	mm	3200/5200	
	Mold height min.	mm	1500	
	Mold height max.	mm	3500	
	Total daylight max.	mm	6700	
	Dist. between tie-bars (H×V)	mm	3200×2600	
	Ejector stroke	mm	1000	
	Ejector force	kN	810	
	Mold weight max. ^②	t	180	
		202500		
		A	B	
INJECTION UNIT	Screw diameter	mm	285	300
	Screw L/D ratio	L/D	24	24
	Injection volume (theoretical)	cm ³	121208	134303
	Injection weight (PS)	g	110299	122215
	Injection rate (PS) ^③	g/s	3196	3541
	Injection pressure	MPa	\	\
	Injection pressure (max)	MPa	176	158
	Plasticizing rate (GPPS) ^④	g/s	\	\
	Plasticizing rate (HDPE) ^⑤	g/s	450.0	485.0
Screw speed	rpm	28		
OTHERS	Pump motor power	kW	450	
	Heater power	kW	450	480
	Machine dimension (L×W×H) ^⑥	m	25×7.3×6.8	25×7.3×6.8
	Machine weight	t	500	500
	Hopper capacity (OP)	kg	50	50
	Oil tank ^⑦	l	5500	5500

NOTE:

- ① With min. mold height / with max. mold height.
- ② Moving platen: 2/3 of max. mold weight.
- ③ The injection rate refers to the parameter in the differential injection condition.
- ④ Plasticizing capacity (GPPS): GB standard, with application of GPPS plasticizing capacity of 3-zone screws.
- ⑤ Plasticizing capacity (HDPE): Euromap 19, with application of HDPE plasticizing capacity of barrier screws.
- ⑥ The size is the net size of the machine, excluding the width of the feeding platform and the working platform.
- ⑦ The oil tank volume refers to the volume of the oil tank itself, excluding the volume in cylinder and pipeline. In this sense, the customer is advised to prepare the hydraulic oil according to 1.35 times of the oil tank volume.

The above plasticizing capacity is for reference only.

We reserve the right to make changes as a result of further technical advantages.

SPECIFICATION

JU88000 V

MACHINE TYPE		JU88000 V		
CLAMPING UNIT	Clamping force	kN	88000	
	Mold opening stroke ^①	mm	3500/5300	
	Mold height min.	mm	1700	
	Mold height max.	mm	3500	
	Total daylight max.	mm	7000	
	Dist. between tie-bars (H×V)	mm	3400×2820	
	Ejector stroke	mm	1000	
	Ejector force	kN	1000	
	Mold weight max. ^②	kN	180	
		202500		
		B		
INJECTION UNIT	Screw diameter	mm	300	
	Screw L/D ratio	L/D	24	
	Injection volume (theoretical)	cm ³	134303	
	Injection weight (PS)	g	122215	
	Injection rate (PS) ^③	g/s	3541	
	Injection pressure	MPa	\	
	Injection pressure (max)	MPa	158	
	Plasticizing rate (GPPS) ^④	g/s	\	
	Plasticizing rate (HDPE) ^⑤	g/s	485.0	
Screw speed	rpm	28		
OTHERS	Pump motor power	kW	450	
	Heater power	kW	480.0	
	Machine dimension (L×W×H) ^⑥	m	28×9.5×6.8	
	Machine weight	t	610.0	
	Hopper capacity (OP)	kg	50	
	Oil tank ^⑦	l	5500	

NOTE:

- ① With min. mold height / with max. mold height.
- ② Moving platen: 2/3 of max. mold weight.
- ③ The injection rate refers to the parameter in the differential injection condition.
- ④ Plasticizing capacity (GPPS): GB standard, with application of GPPS plasticizing capacity of 3-zone screws.
- ⑤ Plasticizing capacity (HDPE): Euromap 19, with application of HDPE plasticizing capacity of barrier screws.
- ⑥ The size is the net size of the machine, excluding the width of the feeding platform and the working platform.
- ⑦ The oil tank volume refers to the volume of the oil tank itself, excluding the volume in cylinder and pipeline. In this sense, the customer is advised to prepare the hydraulic oil according to 1.35 times of the oil tank volume.

The above plasticizing capacity is for reference only.

We reserve the right to make changes as a result of further technical advantages.